

DRAWING IS UNPUBLISHED.

RELEASED FOR PUBLICATION

COPYRIGHT - By -

ALL RIGHTS RESERVED.

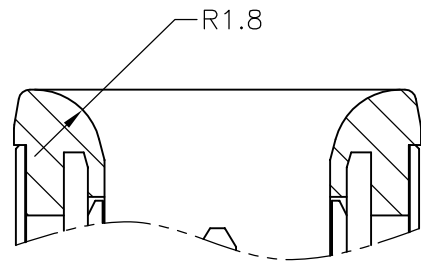
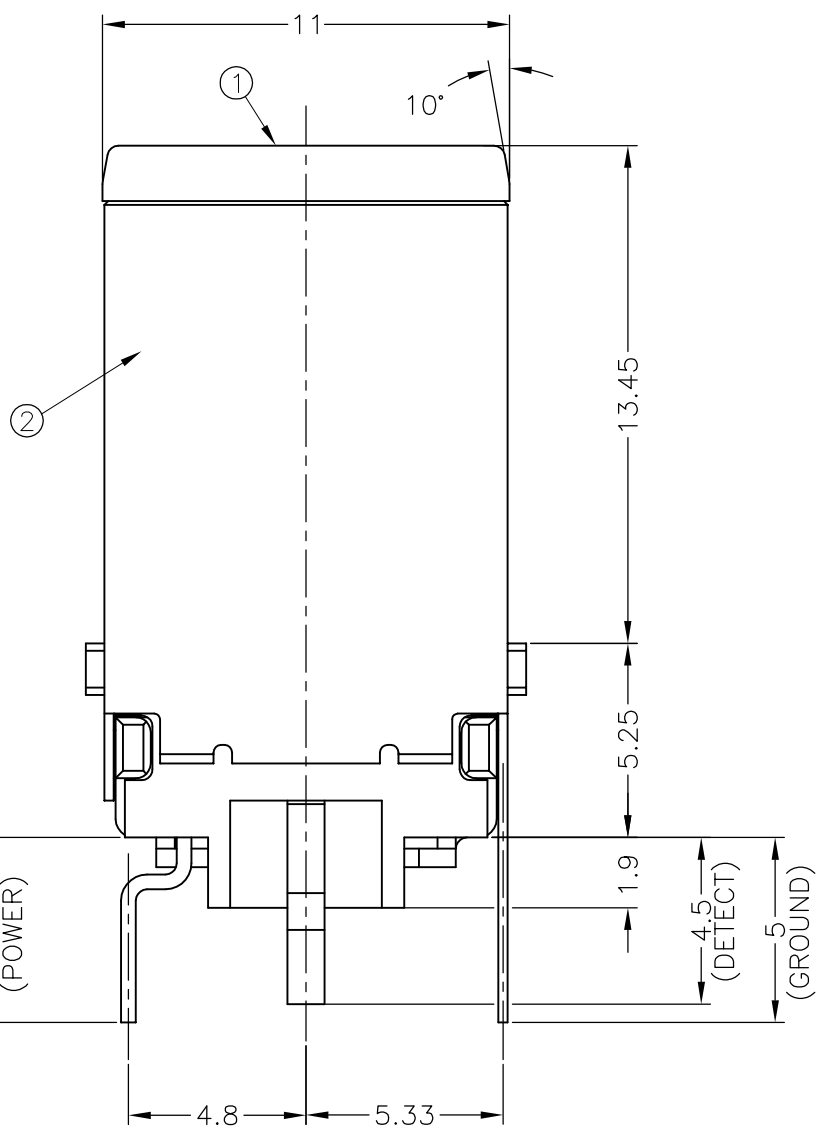
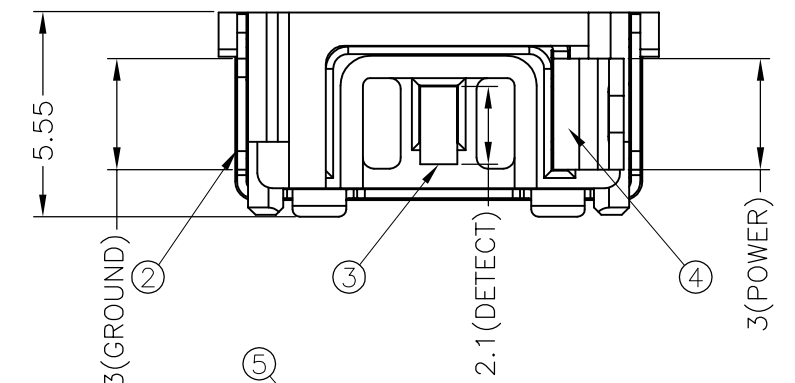
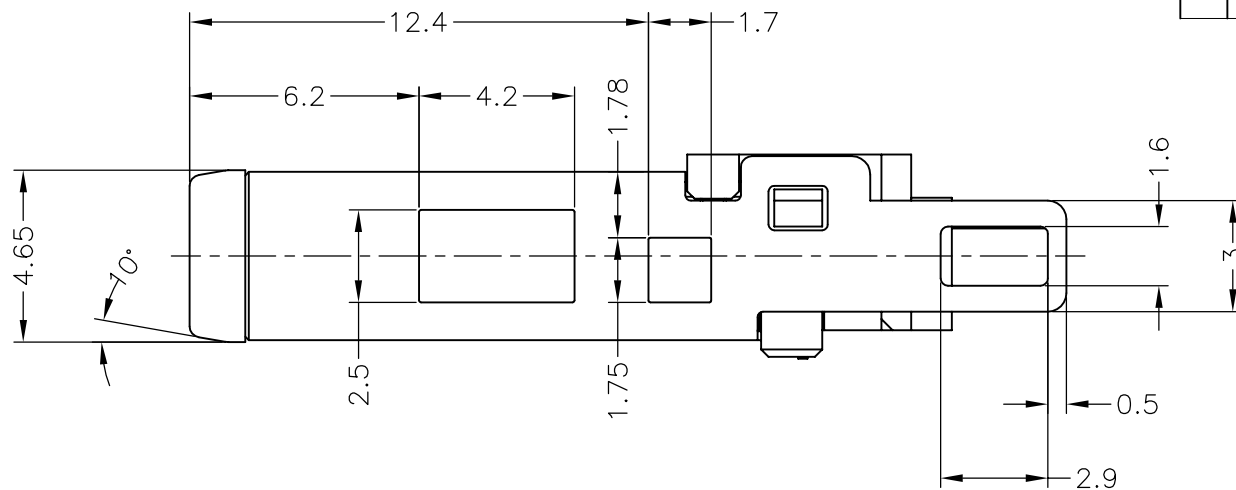
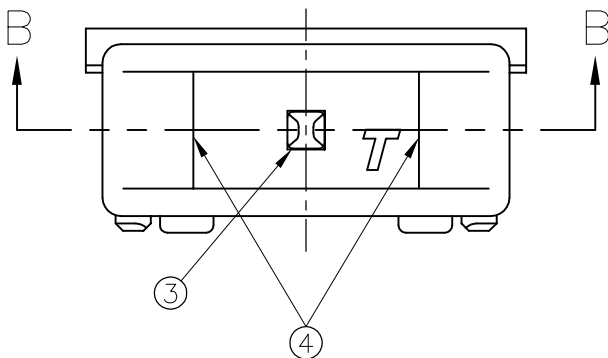
LOC DW

DIST

REVISIONS

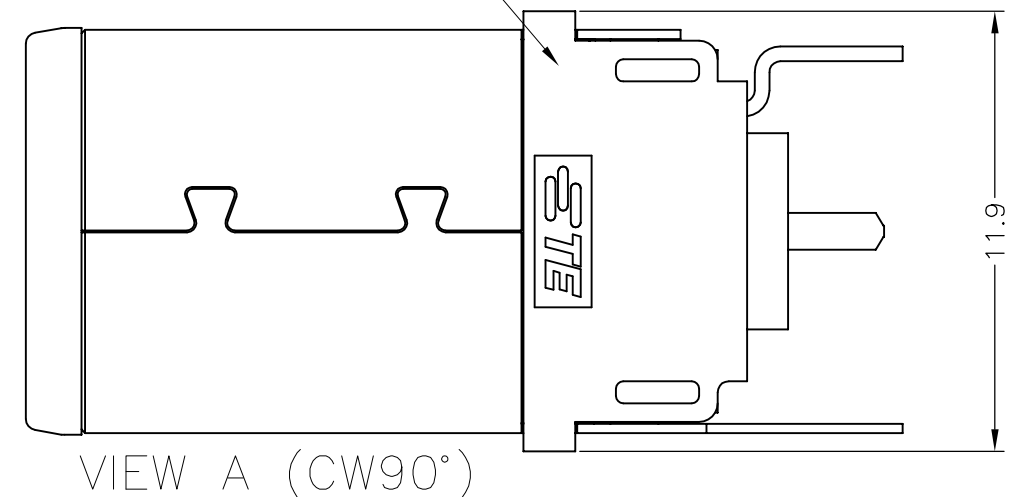
P	LTR	DESCRIPTION	DATE	DWN	J.L
B4		REVISED (ECR-15-011639)	21AUG15	J.Z	J.L

VIEW A



B-B

A'SSY P/N		
1-2129334-2	1-2129334-1	2129334
1	1	NATURAL
1	1	0.0002mm GOLD PLATING ON CONTACT AREA, 0.002mm MATTE TIN PLATING ON SOLDER AREA, 0.002mm MIN. NICKEL UNDERPLATED ALL OVER
1	1	0.0002mm GOLD PLATING ON CONTACT AREA, 0.002mm MATTE TIN PLATING ON SOLDER AREA, 0.002mm MIN. NICKEL UNDERPLATED ALL OVER
1	1	0.002mm MATTE TIN PLATING ON SOLDER AREA, 0.002mm MIN. NICKEL UNDERPLATED ALL OVER
1	-	BLACK
-	1	YELLOW
Q'TY		FINISH/COLOR



VIEW A (CW90°)

THIS DRAWING IS A CONTROLLED DOCUMENT.

DWN S.HUANG 24FEB2012

CHK V.PENG 24FEB2012

APVD W.KODAMA 24FEB2012

PRODUCT SPEC

APPLICATION SPEC

WEIGHT

CUSTOMER DRAWING

DIMENSIONS: mm

TOLERANCES UNLESS OTHERWISE SPECIFIED:

0 PLC	±	
1 PLC	±	±0.25
2 PLC	±	±3°
3 PLC	±	
4 PLC	±	
ANGLES	±	

MATERIAL SEE TABLE

FINISH

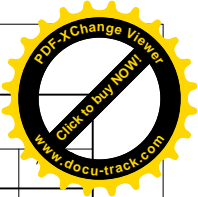
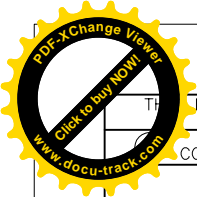


TE Connectivity

DC POWER PLUG CONNECTOR

SIZE	CAGE CODE	DRAWING NO	RESTRICTED TO
A3	00779	C-2129334	

SCALE 5:1 SHEET 1 OF 2 REV B4



4

3

2

1

DRAWING IS UNPUBLISHED.

RELEASED FOR PUBLICATION

COPYRIGHT - By -

ALL RIGHTS RESERVED.

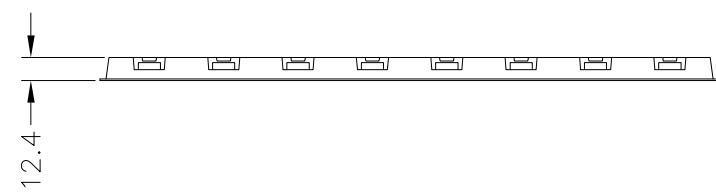
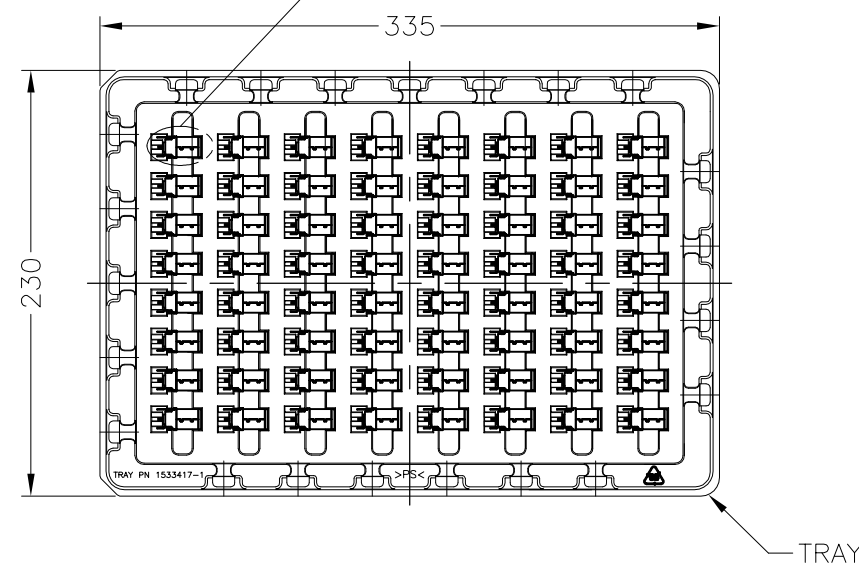
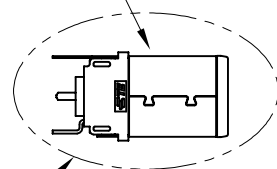
LOC DW

DIST

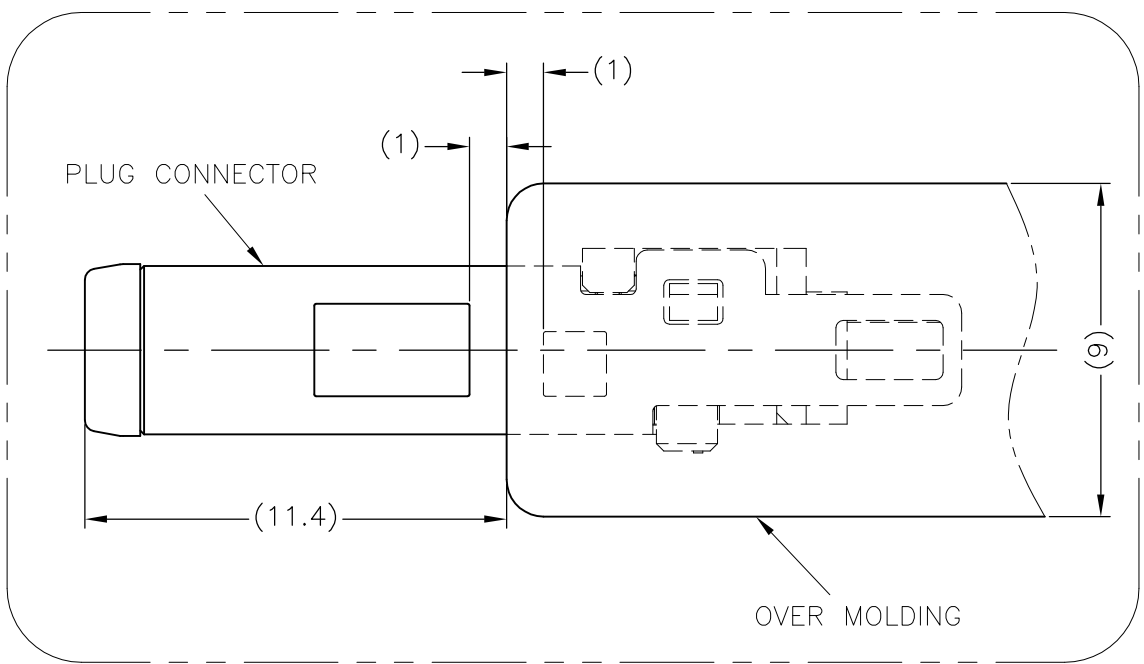
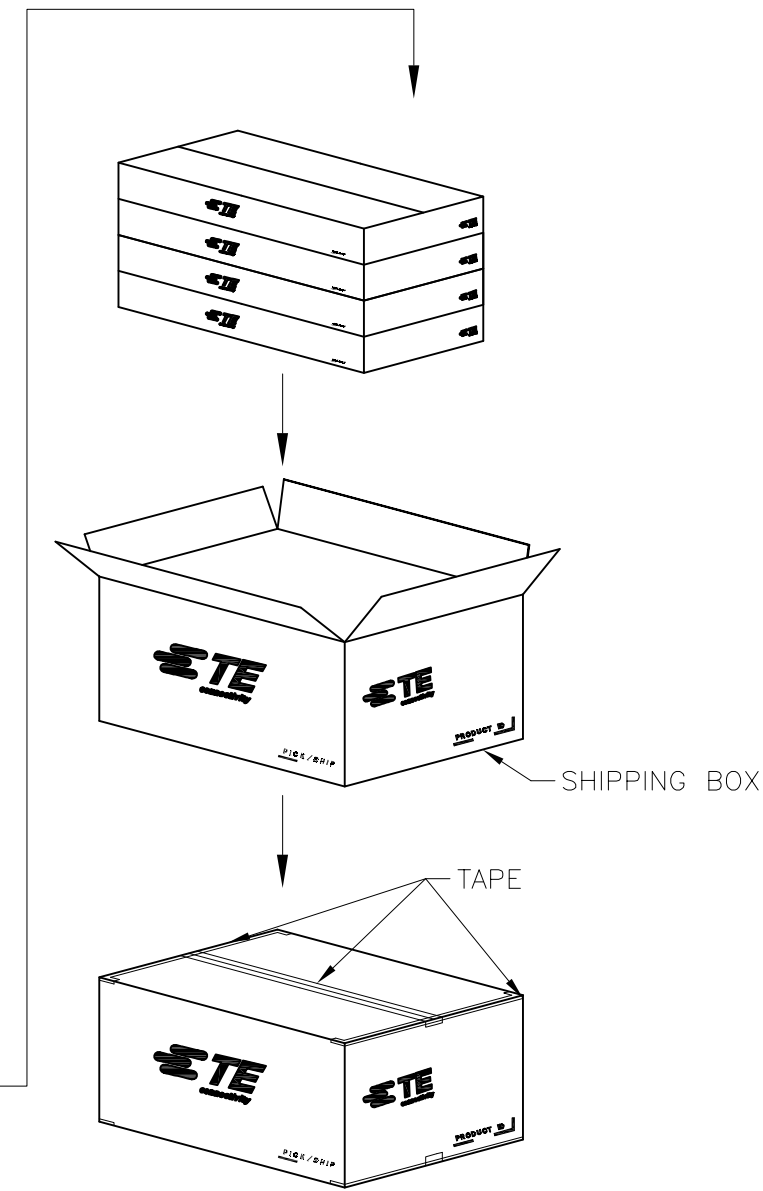
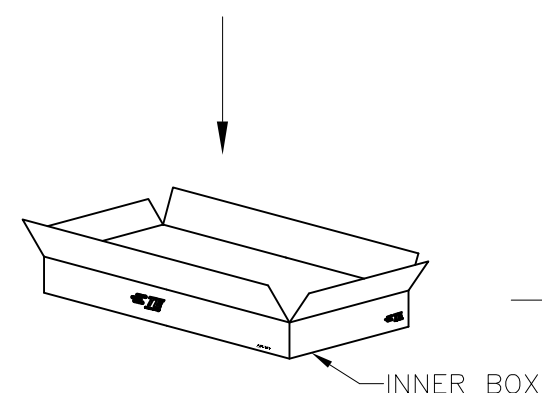
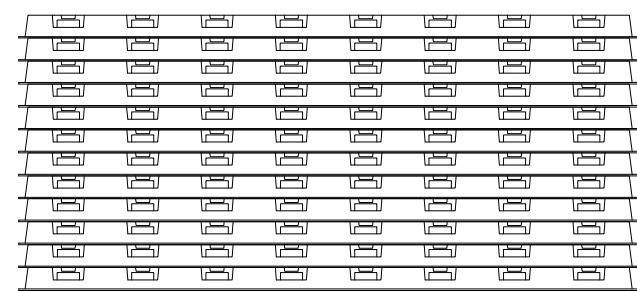
REVISIONS

P	LTR	DESCRIPTION	DATE	DWN
-	-	SEE SHEET 1	-	-

DC POWER PLUG CONNECTOR
 TE P/N: 1-2129334-1
 OR 1-2129334-2



- INNER BOX DIMENSION: 340mmX243mmX111mm
 - SHIPPING BOX DIMENSION: 505mmX350mmX248mm
 - EU ROHS-RELATED RESTRICTED SUBSTANCE SPEC IN HOMOGENEOUS MATERIAL REFER TO TEC-138-702 REV.G:
 LEAD < 1000PPM, CADMIUM < 100PPM, MERCURY < 1000PPM
 CHROMIUM VI < 1000PPM, PBB <1000PPM, PBDE < 1000PPM
 - HALOGEN FREE SPEC:
 CHLORINE (Cl): 900 ppm MAX.
 BROMINE (Br): 900 ppm MAX.
 CHLORINE (Cl) + BROMINE (Br): 1500 ppm MAX.
- ⚠ PRODUCT SPEC:
 108-99035 FOR 7A CURRENT RATING.
 108-99040 FOR 10.7A CURRENT RATING.



64	768	4	3072
PCS/TRAY	PCS/INNER BOX	INNER BOX/SHIPPING BOX	TOTAL Q'TY

THIS DRAWING IS A CONTROLLED DOCUMENT.		DWN	TE Connectivity NAME DC POWER PLUG CONNECTOR			
DIMENSIONS: mm		CHK				
TOLERANCES UNLESS OTHERWISE SPECIFIED:		APVD				
0 PLC ± - 1 PLC ± - 2 PLC ± - ±0.25 3 PLC ± - ±3° 4 PLC ± - ANGLES ± - MATERIAL FINISH		PRODUCT SPEC				
		APPLICATION SPEC	SIZE	CAGE CODE	DRAWING NO	RESTRICTED TO
		WEIGHT	A3	00779	C-2129334	
		CUSTOMER DRAWING	SCALE	SHEET	REV	
			NA	2 of 2	B4	