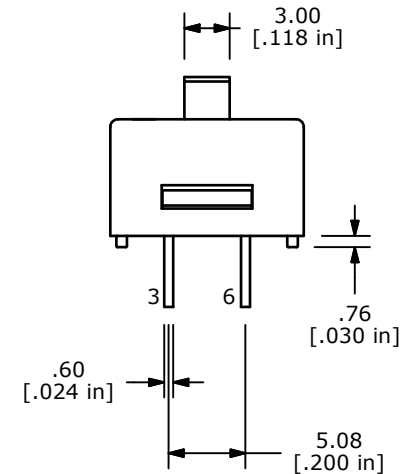
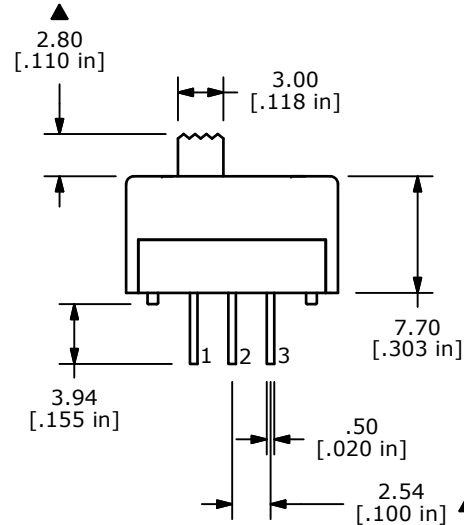
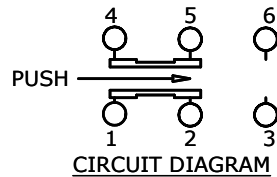


ISOMETRIC

SWITCH FUNCTION	
POS. 1	POS. 2
ON	ON
2-1, 5-4	2-3, 5-6



- NOTE:
1. ALL DIMENSIONS IN MM [INCH]
 2. GENERAL TOLERANCE: X.X=±0.4
X.XX=±0.25
 3. TERMINAL NUMBERS FOR REF ONLY
 - ▲4. PLATING MATERIAL: SILVER
 5. CONTACT RATING: 3A @ 120VAC OR 28VDC
1A @ 250VAC
 6. ELECTRIC LIFE: 20,000 ACTUATIONS AT FULL LOAD.
 7. INSULATION RESISTANCE: 1,000 MΩ MIN.
 8. CONTACT RESISTANCE: 50 mΩ MAX.
 9. DIELECTRIC STRENGTH: 1,000 V RMS @SEA LEVEL.
 10. OPERATING TEMP.: -40°C to 80°C
 11. ▲ DENOTES CRITICAL PARAMETER.
 12. 2002/95/EC (ROHS) COMPLIANT



TITLE 600DP1S2M2Q				
SCALE 2:1	DATE 2/9/2012	DR BGL	DWG T622000	REV D

D	20469	REMOVE (E) FROM DESCRIPTION	2/9/12	BGL
REV	PCR NO	DESCRIPTION	DATE	BY

THE INFORMATION CONTAINED IN THIS DOCUMENT IS PROPRIETARY TO E-SWITCH AND IS NOT TO BE COPIED OR TRANSFERRED