

THIS DRAWING IS UNPUBLISHED.

RELEASED FOR PUBLICATION

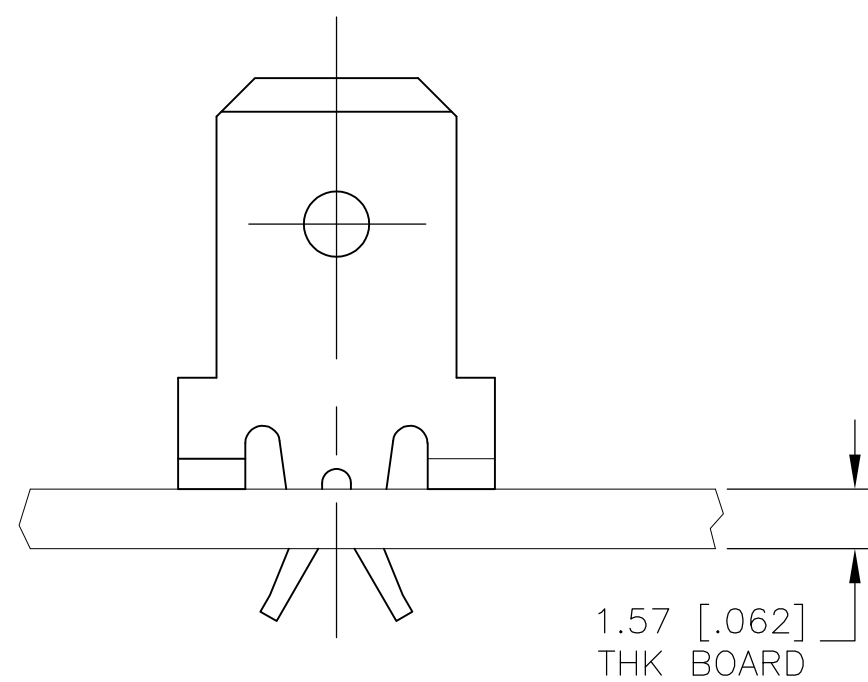
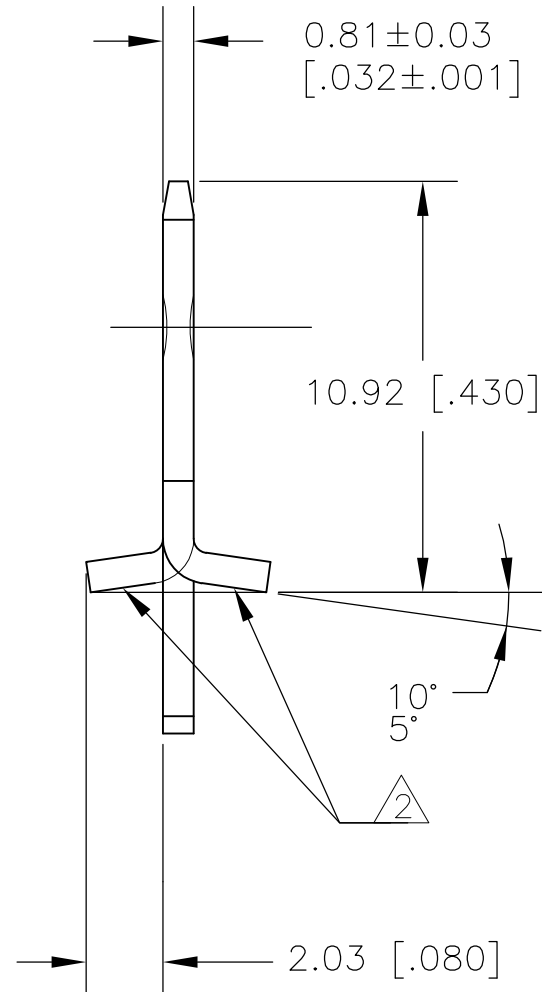
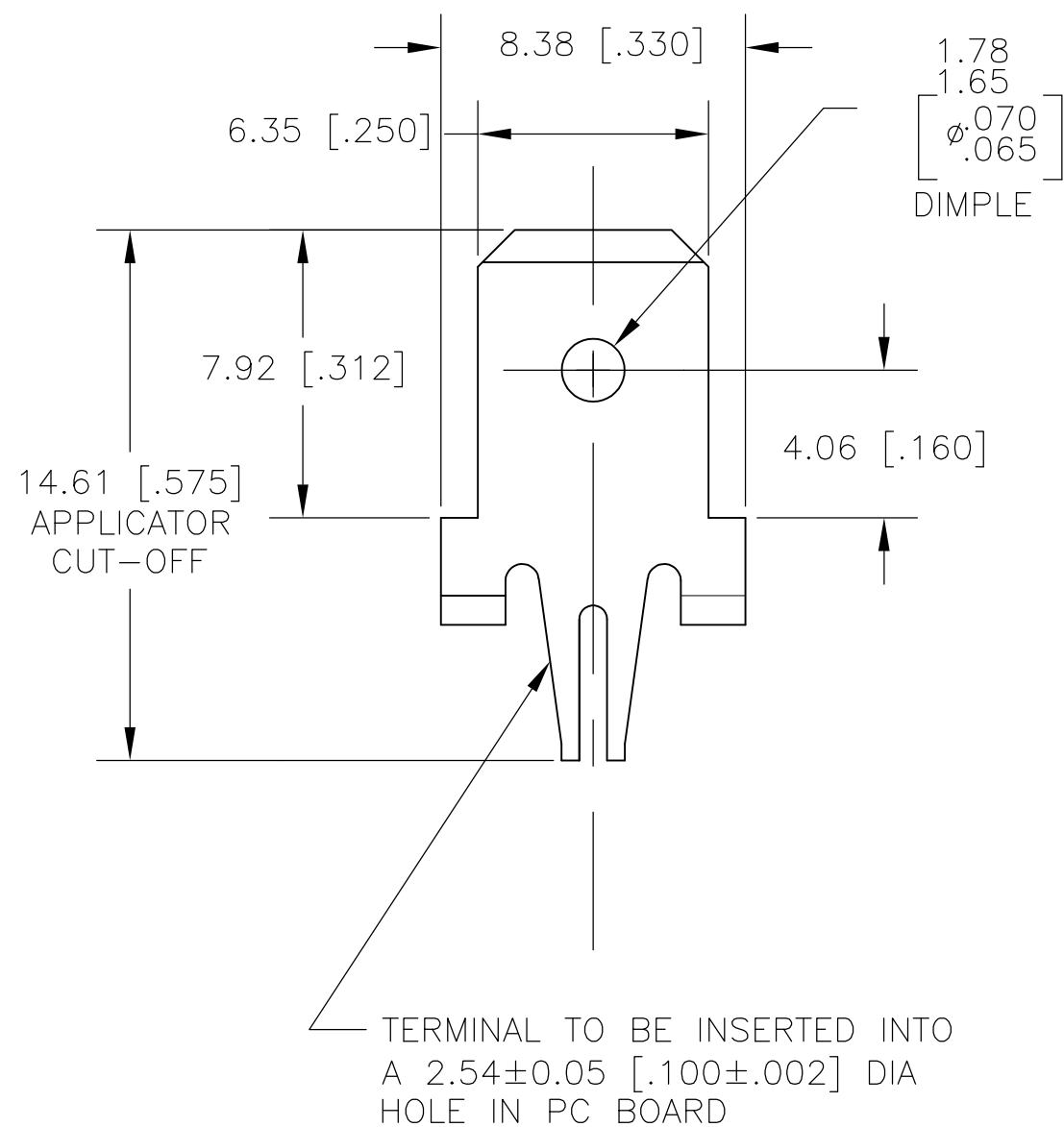
© COPYRIGHT - By -

ALL RIGHTS RESERVED.

LOC AF DIST 50

REVISIONS

P	LTR	DESCRIPTION	DATE	DWN	APVD
A1		REVISED PER ECO-11-005027	11MAR11	RK	HMR



TERMINAL INSERTED AND CLINCHED IN PC BOARD

63066-1	63067-1
STRIP P/N	PART NO.

THIS DRAWING IS A CONTROLLED DOCUMENT.		DWN JR RUTH 20FEB01	TE Connectivity		
DIMENSIONS: MM [ INCHES ]		CHK MS FEHER 20FEB01			
TOLERANCES UNLESS OTHERWISE SPECIFIED:		APVD N DEIBERT 20FEB01	NAME		
0 PLC ± - 1 PLC ± - 2 PLC ± 0.38 [.015] 3 PLC ± - 4 PLC ± - ANGLES ± -		PRODUCT SPEC -	TAB, FASTON, PC BOARD		
MATERIAL 082 BRASS		FINISH -	6.35 [.250] SERIES		
		WEIGHT -	SIZE A3	CAGE CODE 00779	DRAWING NO C-63067
			RESTRICTED TO -		
			CUSTOMER DRAWING	SCALE 5:1	SHEET 1 OF 1
				REV A1	