

THIS DRAWING IS UNPUBLISHED.

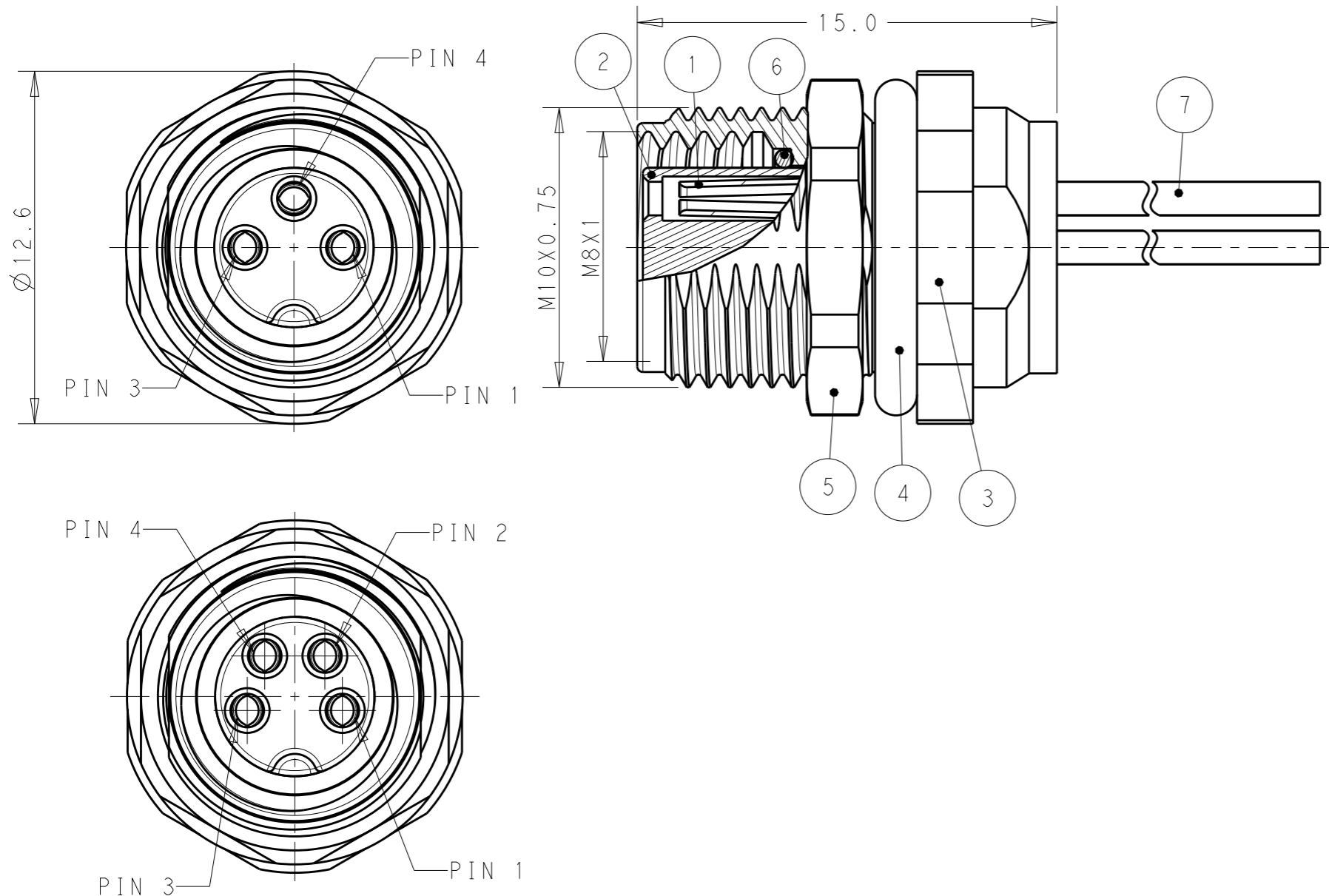
RELEASED FOR PUBLICATION

© COPYRIGHT copyright_d8Ye-

ALL RIGHTS RESERVED.

REVISIONS

P	LTR	DESCRIPTION	DATE	DWN	APVD
	A	INITIAL RELEASE	19DEC2016	N.P	X.X



NOTES:

1. TECHNICAL DATA: SEE TABLE 1
2. THE RELEATION BETWEEN WIRE COLOR AND PIN IS: PIN1 BROWN; PIN2 WHITE; PIN3 BLUE; PIN4 BLACK;
3. -00X: CABLE LENGTH. -001:0.2m; -002:0.5m; -003:1.0m; -004:1.5m; -005:3m; -006:5m;
4. IF CUSTOMER NEED OTHER CABLE LENGTH, PLEASE CONTACT TE PRODUCT MANAGER OR SALES FOR HELP.
5. ALL PRODUCT MUST COMPLIANCE WITH ROHS AND REACH.

注意事项

1. 技术参数：见表1
2. PIN数与线颜色的关系是：PIN1棕色线，PIN2白色线，PIN3蓝色线，PIN4黑色线；
3. -00X，X为线长，-001:0.2m；-002:0.5m；-003:1.0m；-004:1.5m；-005:3m；-006:5m；
4. 如果客户需要定制别的长度，请联系TE销售或者产品经理；
5. 产品必须符合ROHS与REACH.

TABLE 1

TECHNICAL DATA	T4071017031-00X	T4071017041-00X
RATED IMPULSE VOLTAGE	1500V	800V
RATED VOLTAGE	60V	30V
RATED CURRENT	3A	
POLLETION DEGREE	3	
OVERVOLTAGE CATEGORY	II	
MATERIAL GROUP	II	
DEGREE OF PROTECTION	IP67	
TEMPERATURE	-40°C~85°C	

MATERIAL	DESCRIPITON	ITEM
	WIRE	7
RUBBER	O-RING	6
COPPER ALLOY	NUT	5
RUBBER	O-RING	4
COPPER ALLOY	BODY NUT	3
PA66	HOUSING	2
COPPER ALLOY	CONTACT	1

TYPE	POS.	PART NUMBER
RPC-M8-FF-4CON-M10-0.2LA	4	T4071017041-001
RPC-M8-FF-3CON-M10-0.2LA	3	T4071017031-001

THIS DRAWING IS A CONTROLLED DOCUMENT.

DIMENSIONS:	TOLERANCES UNLESS OTHERWISE SPECIFIED:
mm	
	0 PLC ±-
	1 PLC ±0.25
	2 PLC ±0.15
	3 PLC ±
	4 PLC ±
	ANGLES ±-
MATERIAL	FINISH
material_2	finish_spec_2

DWN	Nick Pan	22-Dec-16
CHK	Kobby Zhao	22-Dec-16
APVD	Xiang Xu	22-Dec-16
PRODUCT SPEC	108-106140	
APPLICATION SPEC	114-137144-1	
WEIGHT	-	
CUSTOMER DRAWING		

TE Connectivity			
NAME			
M8 PANEL CONNECTOR FEMALE SIDE REAR MOUNTING WITH SINGLE WIRE			
SIZE	CAGE CODE	DRAWING NO	RESTRICTED TO
A3		©-T40710170X100X	-
SCALE		SHEET	REV
2:1		1 OF 1	A