

## IDC Series

### DC Input Module

**UL** File E29244

Users should thoroughly review the technical data before selecting a product part number. It is recommended that users also seek out the pertinent approvals files of the agencies/laboratories and review them to ensure the product meets the requirements for a given application.

#### Features

- Industry standard package and pin-out.
- Color coded by function.
- 4000V rms optical isolation.
- High immunity to false operation.
- Series compatible.
- Compatible with 2IOM series mounting boards.

#### Engineering Data

**Switch Form:** 1 Form A (SPST-NO)  
**Duty:** Continuous.  
**Operating Temperature:** -30°C to +80°C.  
**Storage Temperature:** -30°C to +100°C.  
**Potting Compound Flammability:** UL94V-0.  
**Solderability:** 260°C for 5 seconds, maximum.  
**Approximate Weight:** 1.38 oz. (35g).

#### Ordering Information

Typical Part Number >

**IDC -5 A**

**1. Basic Series:** IDC = DC input module - white case

**2. Logic Voltage:** 5 = 5VDC  
 15 = 15VDC  
 24 = 24VDC

**3. Input:** Blank = 3.3-32VDC input \*\*  
 A = 10-60VDC input \*\*  
 F = 4-32VDC input & fast turn-on & turn-off times \*\*

\*\* Is not polarity sensitive.

**Our authorized distributors are more likely to maintain the following items in stock for immediate delivery.**

IDC-5  
 IDC-24

**IDC Series** (Continued)

**DC Input Module**

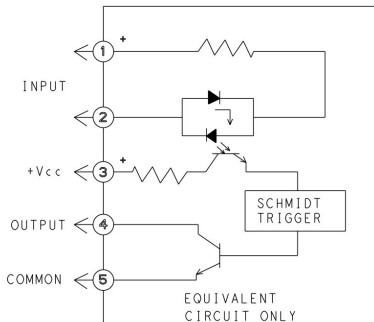
**Input Specifications**

Parameter	Conditions	Units	IDC-5			IDC-5A			IDC-5F		
			IDC-15	IDC-24		IDC-15A	IDC-24A		IDC-15F	IDC-24F	
			Min.	Typ.	Max.	Min.	Typ.	Max.	Min.	Typ.	Max.
Control Voltage Range $V_{IN}$		VDC	3	24	32	10	30	60	4	24	32
Must Operate Voltage $V_{IN(OP)}$		VDC			3			10			4
Must release Voltage $V_{IN(REL)}$		VDC	1			1			1		
Maximum Input Current	@ $V_{IN}=Max.$	mA	0.1 - 10			0.1 - 10			0.1 - 10		
Input Resistance		Ohms	3200			6000			3200		

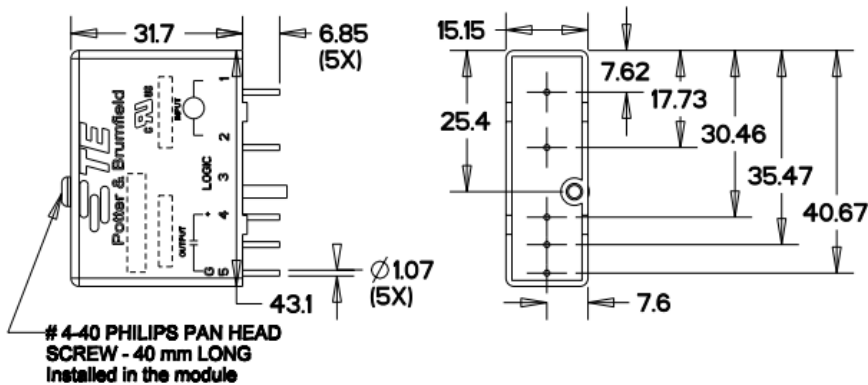
**Output Specifications (@ +25°C unless otherwise specified)**

Parameter	Conditions	Units	IDC-5			IDC-15			IDC-24		
			IDC-5A	IDC-5F		IDC-15A	IDC-15F		IDC-24A	IDC-24F	
			Min.	Typ.	Max.	Min.	Typ.	Max.	Min.	Typ.	Max.
Maximum Output Voltage		VDC			30			30			30
Maximum Output Current		mADC			50			50			50
Maximum Output Leakage Current	$V_{OUT}=Max.$	$\mu$ ADC			10			10			10
Maximum Output Voltage Drop	$I_{SINK}=50mA$	VDC			0.2			0.2			0.2
Logic Supply Voltage $V_{CC}$		VDC	3	5	6	12	15	18	20	24	30
Logic Supply Current	$V_{CC}=Max.$	mADC			15			15			15
Turn-On Time (Nominal)	$I_{SINK}=25mA$	ms		1			1			1	
Turn-Off Time (Nominal)	$I_{SINK}=25mA$	ms		1			1			1	
Output Type (Open Collector)			Normally Open (SINKING)			Normally Open (SINKING)			Normally Open (SINKING)		

**IDC Operating Diagram**



**Outline Dimensions**



DIMENSION IN mm