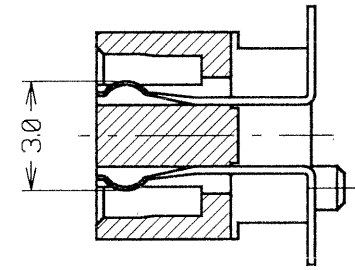
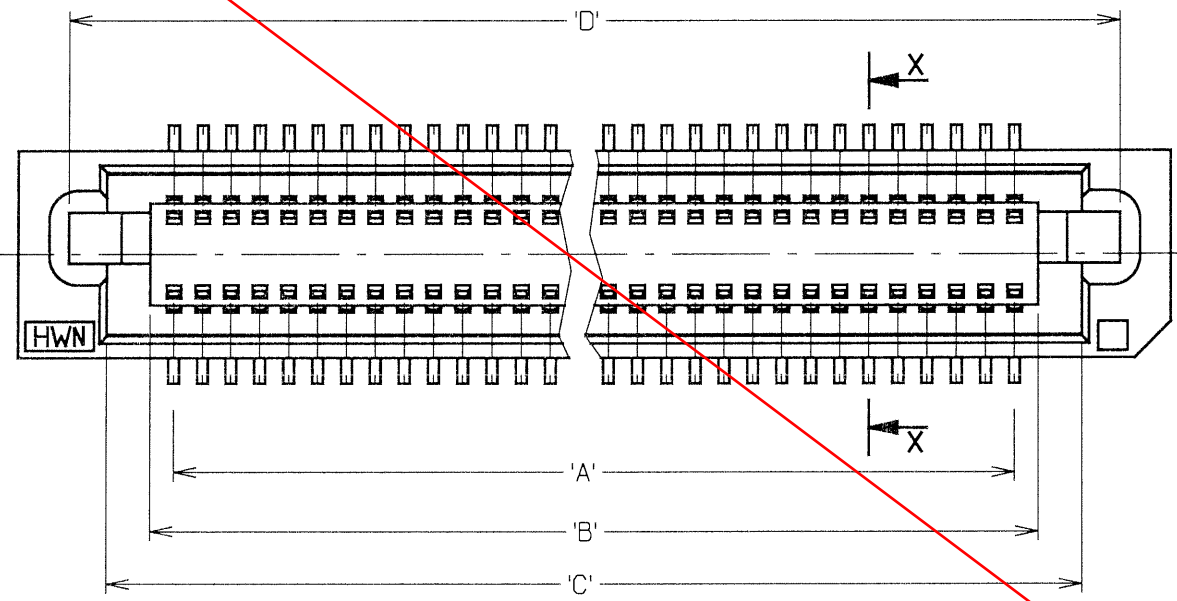


# Customer Information Sheet

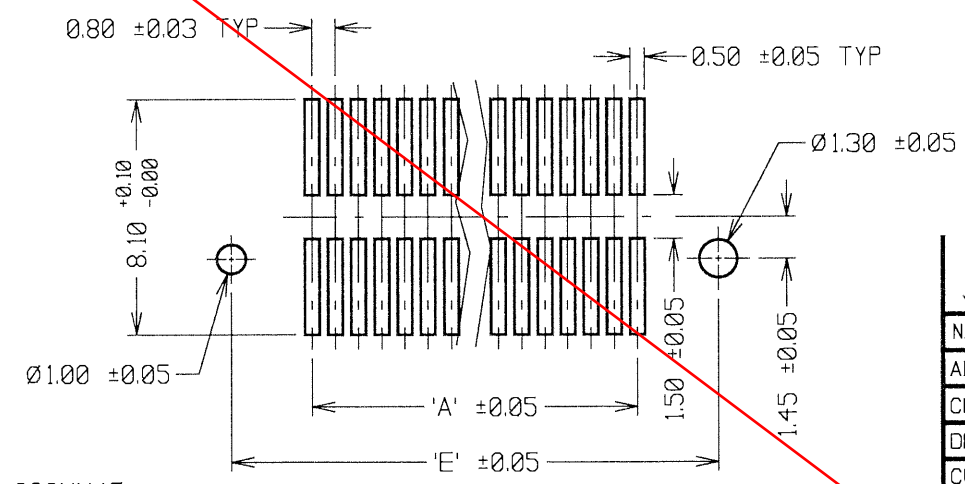
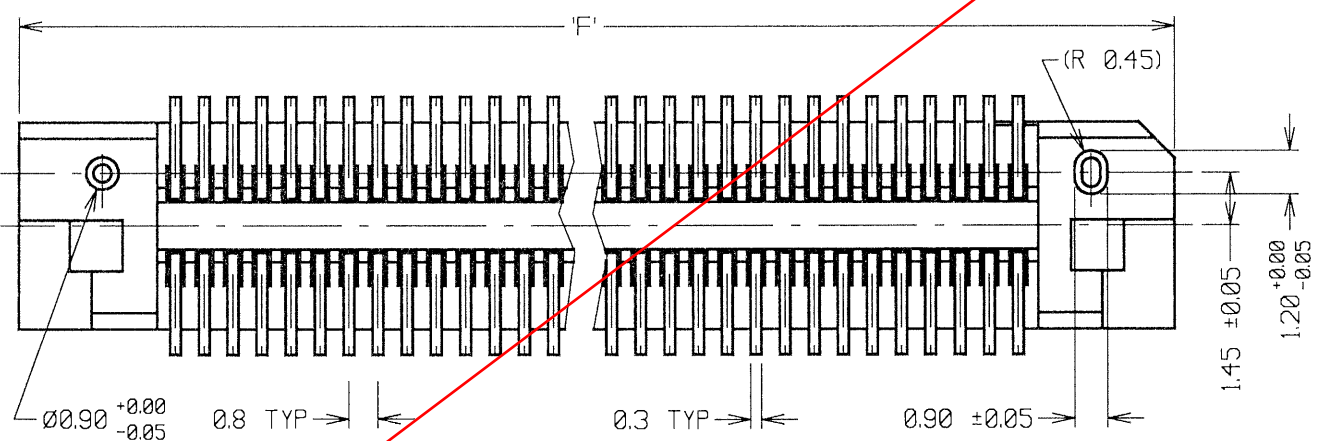
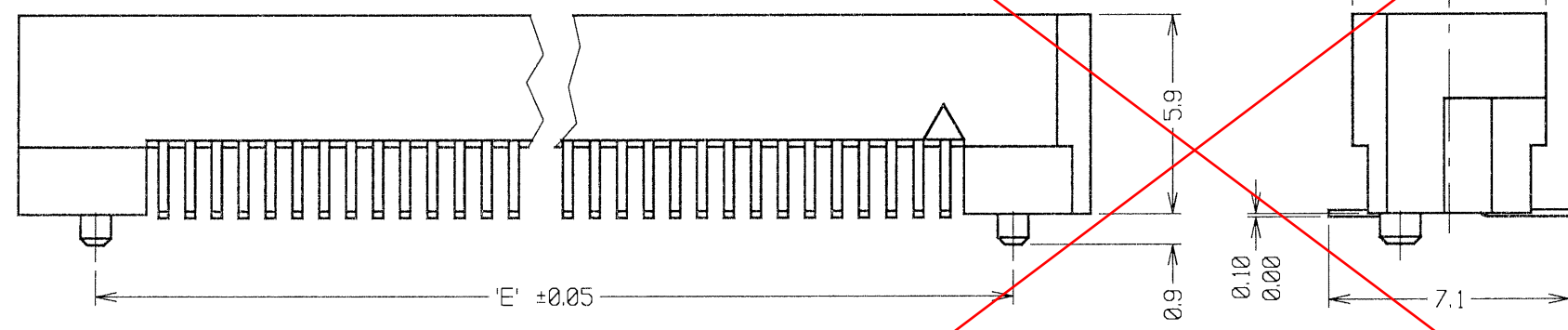
DRAWING No.: M60-616XX45 SHEET 2 OF 2 IF IN DOUBT - ASK © NOT TO SCALE THIRD ANGLE PROJECTION ALL DIMENSIONS IN mm

**OBSOLETE**



PART No.	No. OF CONTACTS	'A'	'B'	'C'	'D'	'E'	'F'
M60-6161045	10 + 10	7.2	8.5	10.9	13.0	11.2	15.8
M60-6161545	15 + 15	11.2	12.5	14.9	17.0	15.2	19.8
M60-6162045	20 + 20	15.2	16.5	18.9	21.0	19.2	23.8
M60-6162545	25 + 25	19.2	20.5	22.9	25.0	23.2	27.8
M60-6163045	30 + 30	23.2	24.5	26.9	29.0	27.2	31.8
M60-6164045	40 + 40	31.2	32.5	34.9	37.0	35.2	39.8
M60-6165045	50 + 50	39.2	40.5	42.9	45.0	43.2	47.8

**SPECIFICATIONS:**  
**MATERIAL:**  
 MOULDING = LCP, UL94V-0  
 CONTACTS = PHOSPHOR BRONZE  
**FINISH:**  
 CONTACTS:  
 0.05µ MIN GOLD OVER 1.27µ MIN NICKEL  
 0.5µ MIN GOLD ON CONTACT AREA.  
**ELECTRICAL:**  
 CURRENT RATING = 0.5 AMPS  
 VOLTAGE RATING = 100V AC  
 DIELECTRIC WITHSTANDING VOLTAGE = 300V AC (1 MINUTE)  
 INSULATION RESISTANCE = 1000 MEGOHMS MIN (250V DC)  
 CONTACT RESISTANCE = 40 MILLIOHMS MAX  
**MECHANICAL:**  
 DURABILITY = 30 CYCLES  
**ENVIRONMENTAL:**  
 TEMPERATURE RANGE = -55°C TO +100°C  
 PACKING = TUBE



**NOTES:**  
 1. MATES WITH M60-604XX45, M60-605XX45 OR M60-606XX45 TO GIVE BOARD-TO-BOARD HEIGHTS OF 7mm, 8mm AND 9mm RESPECTIVELY.  
 2. ALL TOLERANCES ±0.30 UNLESS OTHERWISE STATED.

JMB	9	17.07.06	9324
NAME	ISS.	DATE	C/NOTE
APPROVED: <i>JMB</i>			
CHECKED: <i>JMB</i>			
DRAWN: WJ BOURNE			
CUSTOMER REF.:			
ASSEMBLY DRG.:			

ORDER CODE:  
**M60-616XX45**  
 No. OF CONTACTS PER ROW  
 10, 15, 20, 25, 30, 40, 50

**HARWIN**  
 HARWIN USA  
 TEL: 603 893 5376  
 FAX: 603 893 5396  
 mis@harwin.com  
 HARWIN Europe (UK)  
 TEL: 023 9231 4545  
 FAX: 023 9231 4590  
 mis@harwin.co.uk  
 HARWIN Asia  
 TEL: +65 6 779 4909  
 FAX: +65 6 779 3868  
 mis@harwin.com.sg

THIS DRAWING AND ANY INFORMATION OR DESCRIPTIVE MATTER SET OUT HEREON ARE CONFIDENTIAL AND COPYRIGHT PROPERTY OF THE HARWIN GROUP AND MUST NOT BE DISCLOSED, LOANED, COPIED OR USED FOR MANUFACTURING, TENDERING OR FOR ANY OTHER PURPOSE WITHOUT THEIR WRITTEN PERMISSION.

**TOLERANCES**  
 X = ±1mm  
 X.X = ±0.25mm  
 X.XX = ±0.10mm  
 X.XXX = ±0.1mm  
 ANGLES = ±5°  
 UNLESS STATED

**MATERIAL:**  
 SEE ABOVE  
**FINISH:**  
 SEE ABOVE  
**S/AREA:**  
 mm<sup>2</sup>

**TITLE:**  
 0.80mm PITCH SMT PLUG CONNECTOR (6mm HIGH)  
**DRAWING NUMBER:**  
**M60-616XX45**  
 SHT 2 OF 2