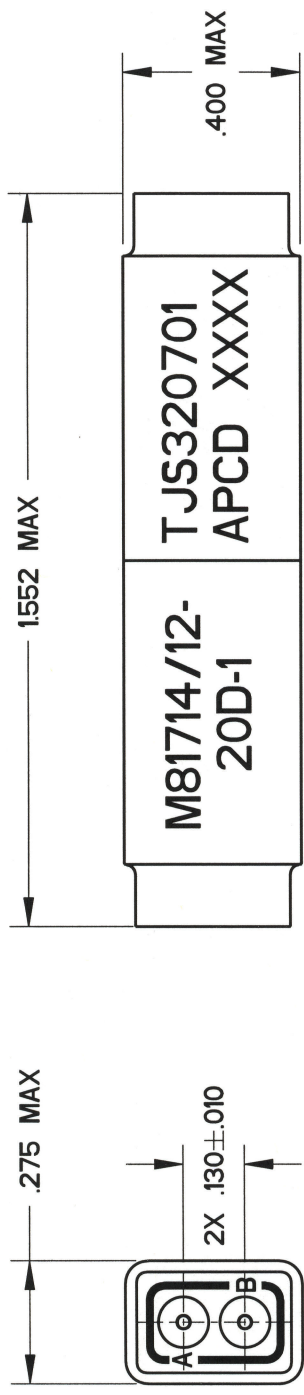
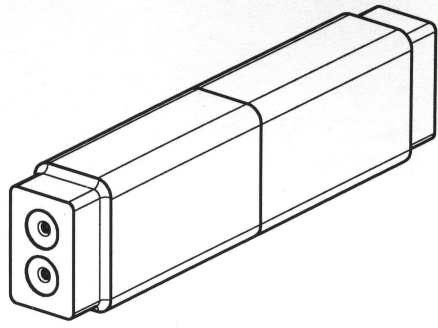


REV	ECN	APP'D
-	5882	<i>R 7/14/06</i>



- NOTES:
- PART MEETS ALL REQUIREMENTS OF MIL-T-81714/12
 - MATERIALS:
GROMMET - SILICONE RUBBER, COLOR: BLUE
INSULATOR - THERMOPLASTIC
INTERNAL CONTACT - COPPER ALLOY
CONTACT RETAINER CLIPS - STAINLESS STEEL ALLOY
 - MODULE ACCEPTS M39029/1-101 PIN CONTACTS, SEE TABLE.

PART NO.	DESCRIPTION	P/N MARKING
TJS320601	CONTACTS NOT SUPPLIED	TJS320701
TJS320701	FIVE (5) CNP006000 INCLUDED	

TITLE	
TERMINAL JUNCTION SPLICE DOUBLE BUSSED, SIZE 20	

SIZE	DWG NO.
A	TJS320601_C
CODE:	SCALE:
58982	8:3
SHEET	OF
1	1

DIMENSIONS	PROJECTION
ANSI Y14.5M	
UNITS: INCHES	
Pro/E FILE	

Amphenol Pcd SPECIFICATION DRAWING DRWN R. SWAINE 06/29/06 ENGR <i>R. Swaine</i> APPD <i>R. Swaine</i> 7/13/06 <i>Swaine</i> 7/18/06	
THIS DOCUMENT CONTAINS PROPRIETARY INFORMATION WHICH IS THE CONFIDENTIAL PROPERTY OF AMPHENOL PCD INC., PEABODY, MA	

