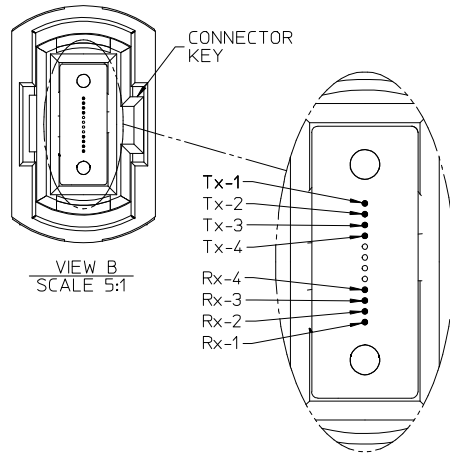
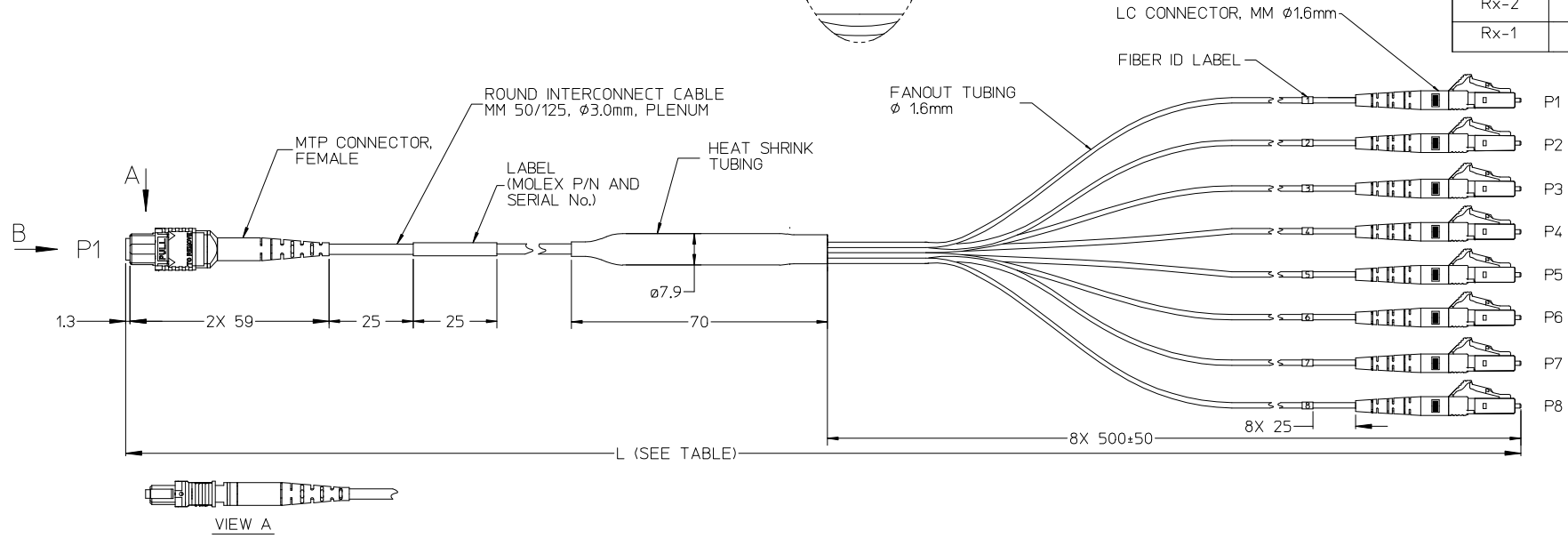


CABLE ASSEMBLY PART NUMBER		OVERALL LENGTH L (m)
STANDARD BANDWIDTH*	HIGH BANDWIDTH*	
106283-5201	106283-5301	1.0 +0.2/-0
106283-5202	106283-5302	3.0 +0.2/-0
106283-5203	106283-5303	5.0 +0.2/-0
106283-5204	106283-5304	10.0 +0.3/-0
106283-5205	106283-5305	15.0 +0.3/-0
106283-5210	-	7.0 +0.2/-0



FROM P1	TO CONNECTOR	FIBER ID
Tx-1	P1	1
Tx-2	P2	2
Tx-3	P3	3
Tx-4	P4	4
UNUSED	UNUSED	UNUSED
UNUSED	UNUSED	UNUSED
UNUSED	UNUSED	UNUSED
UNUSED	UNUSED	UNUSED
Rx-4	P5	5
Rx-3	P6	6
Rx-2	P7	7
Rx-1	P8	8



NOTES:

1. CABLE ASSEMBLY SPECIFICATIONS:

OPTICAL PROPERTIES
 FIBER TYPE MULTIMODE 50/125 μ m
 CONNECTOR INSERTION LOSS MTP/LC (MAX.) 0.5/0.35 dB
 CABLE ATTENUATION (MAX.) 3.5/1.2 dB/km AT 850/1300 nm
 *BANDWIDTH SEE TABLE 1

ENVIRONMENTAL PROPERTIES
 CONNECTOR MATERIALS UL94 V-0
 OPERATING TEMPERATURE RANGE -0°C TO +70°C

MECHANICAL PROPERTIES
 FIBER COUNT 4 Tx X 4 Rx
 CABLE MIN. BEND RADIUS 50 mm SHORT TERM
 32 mm LONG TERM

TABLE 1

FIBER TYPE	OVERFILLED LAUNCH BANDWIDTH, MIN. (MHZ-km)		1 GIGABIT ETHERNET LINK DISTANCE, MIN. (m)		10 GIGABIT ETHERNET LINK DISTANCE, MIN. (m)	
	850 nm	1300 nm	850 nm	1300 nm	850 nm	1300 nm
STANDARD BANDWIDTH	500	500	600	600	86	---
HIGH BANDWIDTH	1500	500	900	550	300	---

ENTER DESCRIPTION EC NO: MF2013-0288 DRAWN BY: DRWNKPEVZNER CHKD: 2012/11/27 APPR: IGJMIN 2012/11/27	QUALITY SYMBOLS ▽=0 ▽=0	GENERAL TOLERANCES (UNLESS SPECIFIED)		DIMENSION STYLE MM ONLY		SCALE 1:1	DESIGN UNITS INCH	THIRD ANGLE PROJECTION
		4 PLACES ±	3 PLACES ±	2 PLACES ±	1 PLACE ±	0 PLACE ±	DRAWN BY DATE J.SZEWczyk 2007/04/11	
C2	REVISION	ANGULAR ±1/2°		MATERIAL NO.		DOCUMENT NO.		SHEET NO. 1 OF 1
		DRAFT WHERE APPLICABLE MUST REMAIN WITHIN DIMENSIONS		SEE TABLE		SD-106283-5YYY		
THIS DRAWING CONTAINS INFORMATION THAT IS PROPRIETARY TO MOLEX INCORPORATED AND SHOULD NOT BE USED WITHOUT WRITTEN PERMISSION								