

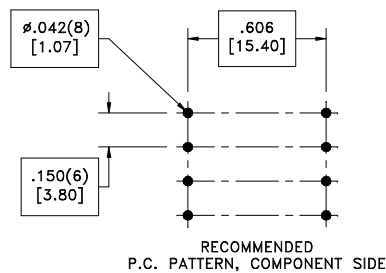
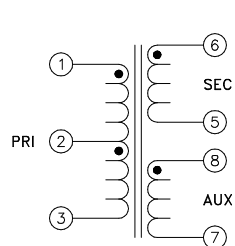
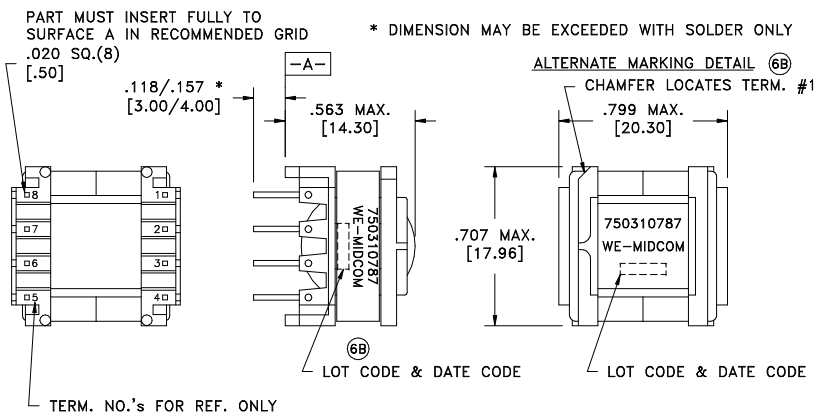
CUSTOMER TERMINAL	RoHS	LEAD(Pb)-FREE
Sn96%, Ag4%	Yes	Yes

more than you expect



ELECTRICAL SPECIFICATIONS @ 25°C unless otherwise noted:

PARAMETER	TEST CONDITIONS	VALUE
D.C. RESISTANCE	1-2 @20°C	1.22 ohms ±10%
D.C. RESISTANCE	2-3 @20°C	0.90 ohms ±10%
D.C. RESISTANCE	5-6 @20°C	0.048 ohms ±20%
D.C. RESISTANCE	7-8 @20°C	0.245 ohms ±10%
INDUCTANCE	1-3 10kHz, 100mVAC, Ls	2.80mH ±10%
LEAKAGE INDUCTANCE	1-3 tie(5+6, 7+8), 100kHz, 100mVAC, Ls	50uH max.
DIELECTRIC	2-6 2500VAC, 1 second	2000VAC, 1 minute
DIELECTRIC	6-8 2500VAC, 1 second	2000VAC, 1 minute
TURNS RATIO	(2-3):(1-2)	1:1, ±1%
TURNS RATIO	(1-3):(6-5)	11.57:1, ±1%
TURNS RATIO	(1-3):(8-7)	9.53:1, ±1%



REV.	DATE	Packaging Specifications Method: Tray PKG-0690 www.midcom-inc.com		Tolerances unless otherwise specified: Angles: ±1° Decimals: ±.005 [.13] Fractions: ±1/64 Footprint: ±.005 [.13]	DRAWING TITLE TRANSFORMER	PART NO. 750310787
6B	10/09			This drawing is dual dimensioned. Dimensions in brackets are in millimeters.	eiSos p/n: 750310787	SPECIFICATION SHEET 1 OF 1
6A	6/09	SEE REVISION SHEET FOR REVISION LEVEL				

