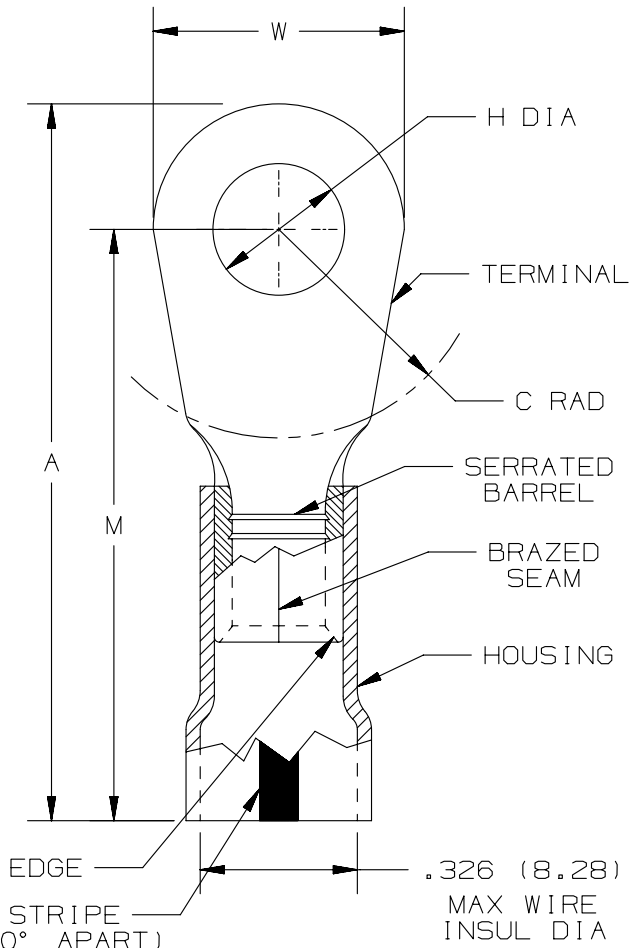


THIS COPY IS PROVIDED ON A RESTRICTED BASIS AND IS NOT TO BE USED IN ANY WAY DETRIMENTAL TO THE INTERESTS OF PANDUIT CORP.

PANDUIT PART NUMBER	STUD SIZE	DIMENSIONS - IN.					TOOL
		A±.03	W±.01	C±.02	M±.03	H±.01	
PK8-8R	#8	1.50 (38.10)	.42 (10.67)	.43 (10.92)	1.29 (32.77)	.17 (4.32)	CT-2600 WITH DIE # CD-2600-PV8
PK8-10R	#10	1.52 (38.61)	.47 (11.94)	.43 (10.92)	1.29 (32.77)	.20 (5.08)	
PK8-14R	1/4"	1.52 (38.61)	.47 (11.94)	.43 (10.92)	1.29 (32.77)	.27 (6.86)	
PK8-56R	5/16"	1.63 (41.40)	.59 (14.99)	.51 (12.95)	1.34 (34.04)	.33 (8.38)	
PK8-38R	3/8"	1.63 (41.40)	.59 (14.99)	.51 (12.95)	1.34 (34.04)	.39 (9.91)	
PK8-12R	1/2"	1.73 (43.94)	.82 (20.83)	.51 (12.95)	1.32 (33.53)	.52 (13.21)	



NOTES:

- RATED FOR:
A. #8 AWG STRANDED COPPER WIRE
- SEE www.panduit.com FOR PART NUMBER SUFFIX DESIGNATION FOR PACKAGE SIZE.
- MATERIAL:
A. STAMPING - .040" (1.02) THK COPPER, TIN PLATED
B. HOUSING - KYNAR, RED STRIPE
- DIMENSIONS IN BRACKETS ARE IN MILLIMETERS
- WIRE STRIP LENGTH: 3/8" +1/32" (9.5 +0.8)
-0 -0.0



LISTED
587H
E52164

TITLE		#8 BARREL KYNAR INSULATED RING TONGUE .326 (8.28) MAX. WIRE INSUL. DIAMETER	
CUSTOMER DRAWING			
ITEM REVISION NAME	N41716BA/04		
DATASET FILE NAME	N41716BA/04		
UNLESS OTHERWISE SPECIFIED, DIMENSIONAL TOLERANCES ARE: IN (mm)		MATERIAL: SEE NOTES	
.X ±	.XXX ±	DRAWING NUMBER: A41716	
.XX ±	ANGLES ±	THIRD ANGLE PROJECTION	
REV	DATE	BY	CHK
JHNU	2/05	JHNU	N/A
DESCRIPTION		SCALE	SHT 1 OF 1
ECN		N/A	A

04	5/14	JHNU	JHNU	RGB	REVISED TABLE: ADDED TOOL INFORMATION ADDED UL LOGO REVISED TITLE BLOCK	N41716BA- A41716
REV	DATE	BY	CHK	APR	DESCRIPTION	ECN

D10100DA/16