
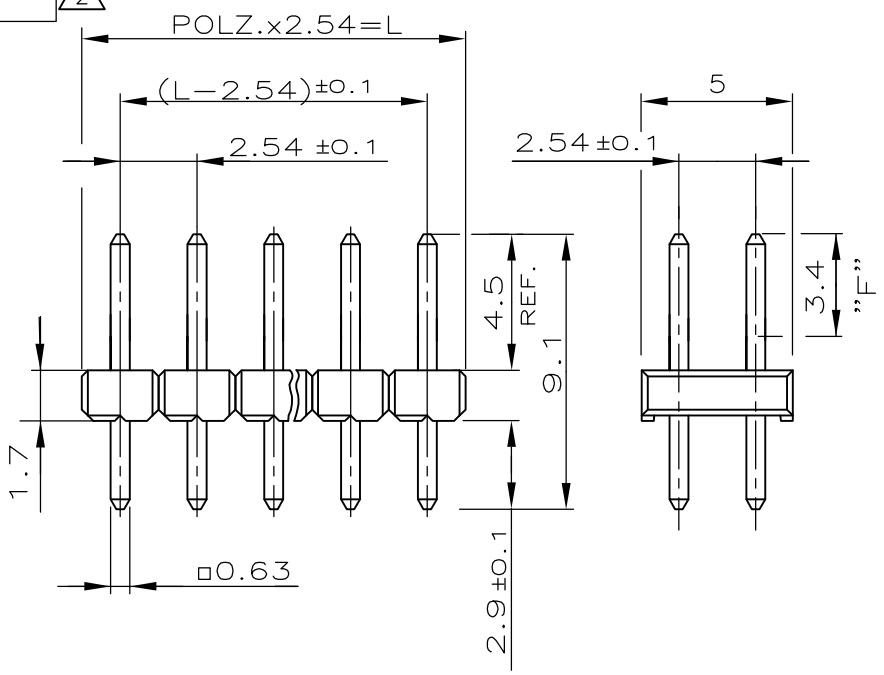





LOC	DIST	REVISIONS			DATE	DWN	APVD
—	—	P	LTR	DESCRIPTION			
		C		Contact pin base material change from CuSn (Phosphor bronze) to CuZn (Brass). Plating change from MIN. 0.8µm gold plating to min. 0.7µm Pd Ni + 0.1µm gold flash at contact area (Area F).	22JUL2014	TJ	JK

POLZ. PRO REIHE	L±0.4	BESTELL-NR.
—	—	—
2	5.08	829 114 -2
3	7.62	-3
4	10.16	-4
5	12.70	-5
6	15.24	-6
7	17.78	-7
8	20.32	-8
9	22.86	-9
10	25.40	1-0
11	27.94	1-1
12	30.48	1-2
13	33.02	1-3
14	35.56	1-4
15	38.10	1-5
16	40.64	1-6
17	43.18	1-7
18	45.72	1-8
19	48.26	1-9
20	50.80	2-0
21	53.34	2-1
22	55.88	2-2
23	58.42	2-3
24	60.96	2-4
25	63.50	2-5
26	66.04	2-6
27	68.58	2-7
28	71.12	2-8
29	73.66	2-9
30	76.20	3-0
31	78.74	3-1
32	81.28	3-2
33	83.82	3-3
34	86.36	3-4
35	88.90	3-5
36	91.44	3-6
37	93.98	3-7
38	96.52	3-8
39	99.06	3-9
40	101.60	4-0
41	104.14	4-1
42	106.68	4-2
43	109.22	4-3
44	111.76	4-4
45	114.30	4-5
46	116.84	4-6
47	119.38	4-7
48	121.92	4-8
49	124.46	4-9
50	127.00	5- 829 114 -0


OBSOLETE 



CONTACT PIN	CuZn	
PIN HOUSING	PBTP GV	GRÜN
DESCRIPTION	MATERIAL	FINISH/COLOR

-  STECKSEITE: IM BEREICH "F" 0.7µm PdNi+0.1µm GOLD FLASH ÜBER 1.27µm NICKEL
- LÖTSEITE: MIN. 2.5µm ZINN ÜBER 1.27µm NICKEL
-  OBSOLETE PARTS: OBSOLETE CIS STREAMLINING PER D.RENAUD/D.SINISI

THIS DRAWING IS UNPUBLISHED. ALL RIGHTS RESERVED.

DIMENSIONS: mm TOLERANCES UNLESS OTHERWISE SPECIFIED: ± 0.2 0 PLC ± - 1 PLC ± - 2 PLC ± - 3 PLC ± - 4 PLC ± - ANGLES ± -	DWN M.SCHAARSCHMIDT 02.11.88	MATERIAL SEE TABLE	FINISH SEE TABLE
	CHK W.SIMONS 25.01.89	 TE Connectivity	
	APVD -	NAME AMPMODU II STIFTLAISTE, ZWEIREIHIG	
	PRODUCT SPEC 108-18012	SIZE A4	CAGE CODE 00779
	APPLICATION SPEC -	DRAWING NO C-829114	RESTRICTED TO -
	WEIGHT -	SCALE 4:1	
CUSTOMER DRAWING		SHEET 1 OF 1	REV C