

THE INFORMATION CONTAINED HEREIN IS CONSIDERED 'PROPRIETARY' TO BEL FUSE INC. AND SHALL NOT BE COPIED, REPRODUCED OR DISCLOSED WITHOUT THE WRITTEN APPROVAL OF BEL FUSE INC.

RoHS
2002/95/EC



ELECTRICAL CHARACTERISTICS @ 25°C

URNS RATIO

TX 1CT : 1
RX 1CT : 1

CL @ 100kHz/100mVRMS

8mA DC BIAS 350µH MIN.

INS. LOSS

1MHz TO 100MHz -1.0 dB MAX

RET. LOSS (MIN)

1MHz-30MHz -18 dB
30MHz-60MHz $-18+20\text{LOG}(F/30\text{MHz})$ dB
60MHz-80MHz -12 dB

CROSS TALK (TX - RX)

500kHz - 100 MHz -35 dB MIN

CM TO CM REJ

100kHz - 100 MHz -30 dB MIN

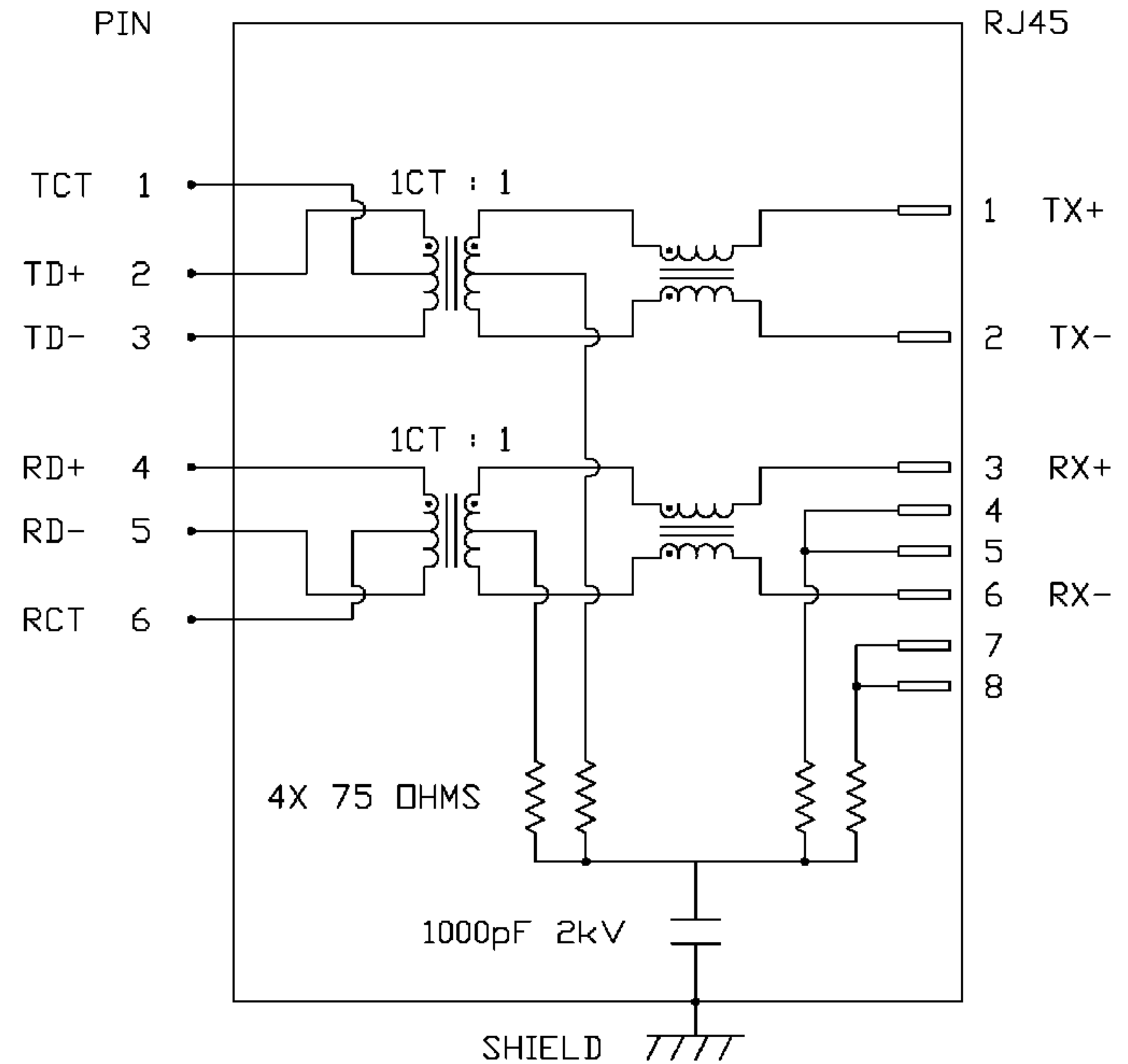
CM TO DM REJ

100kHz - 100 MHz -35 dB MIN

HIPOT (Isolation Voltage):

1500 Vrms or 2250VDC

SCHEMATIC



ORIGINATED BY CHUNG
DATE 05-18-06

TITLE LOW PROFILE MagJack®
L811-1X1T-06-F

PART NO. / DRAWING NO. L8111X1T06-F
FILE NAME L8111X1T06-FB.DWG

STANDARD DIM. TOL. IN INCH
.X
.XX
.XXX

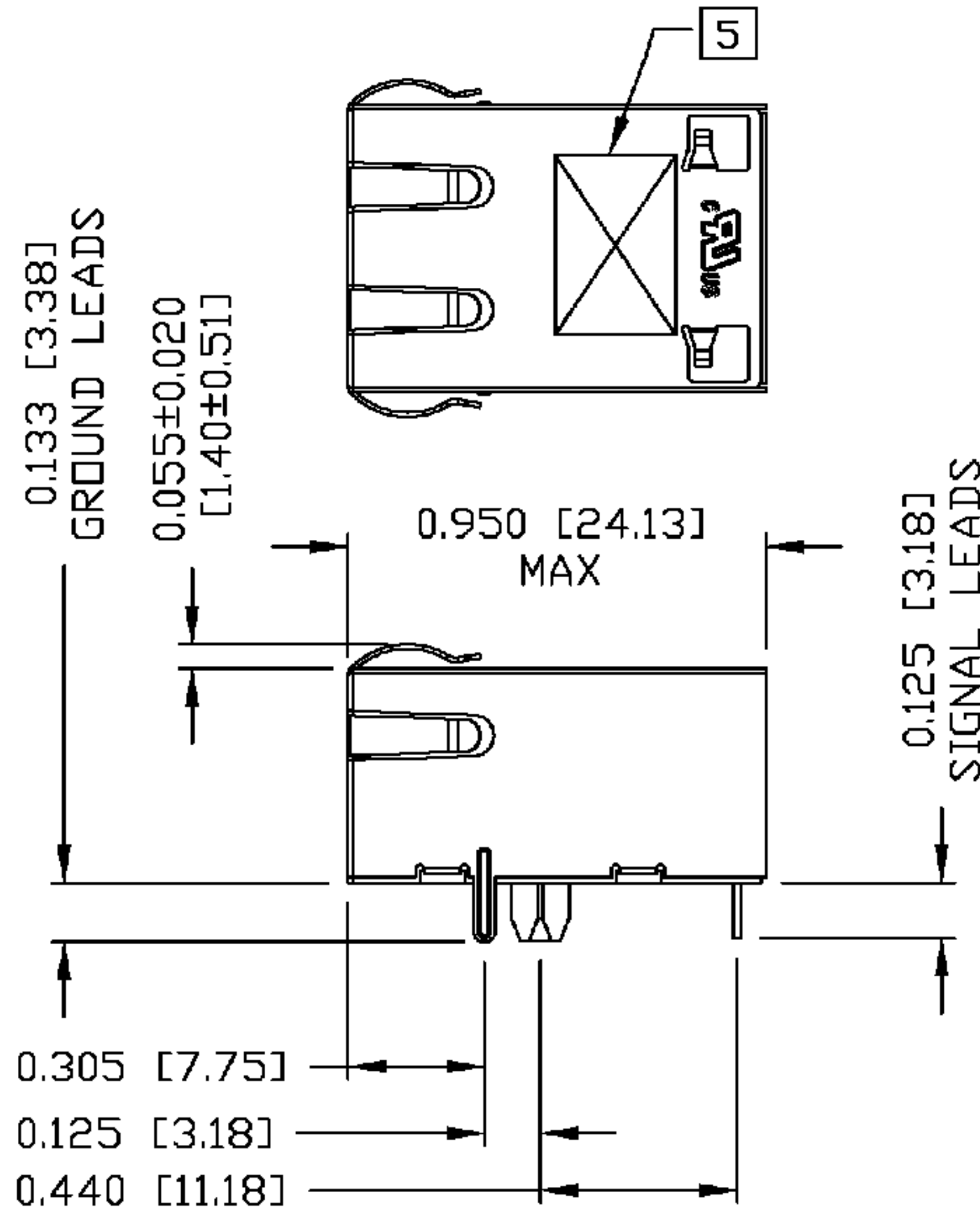
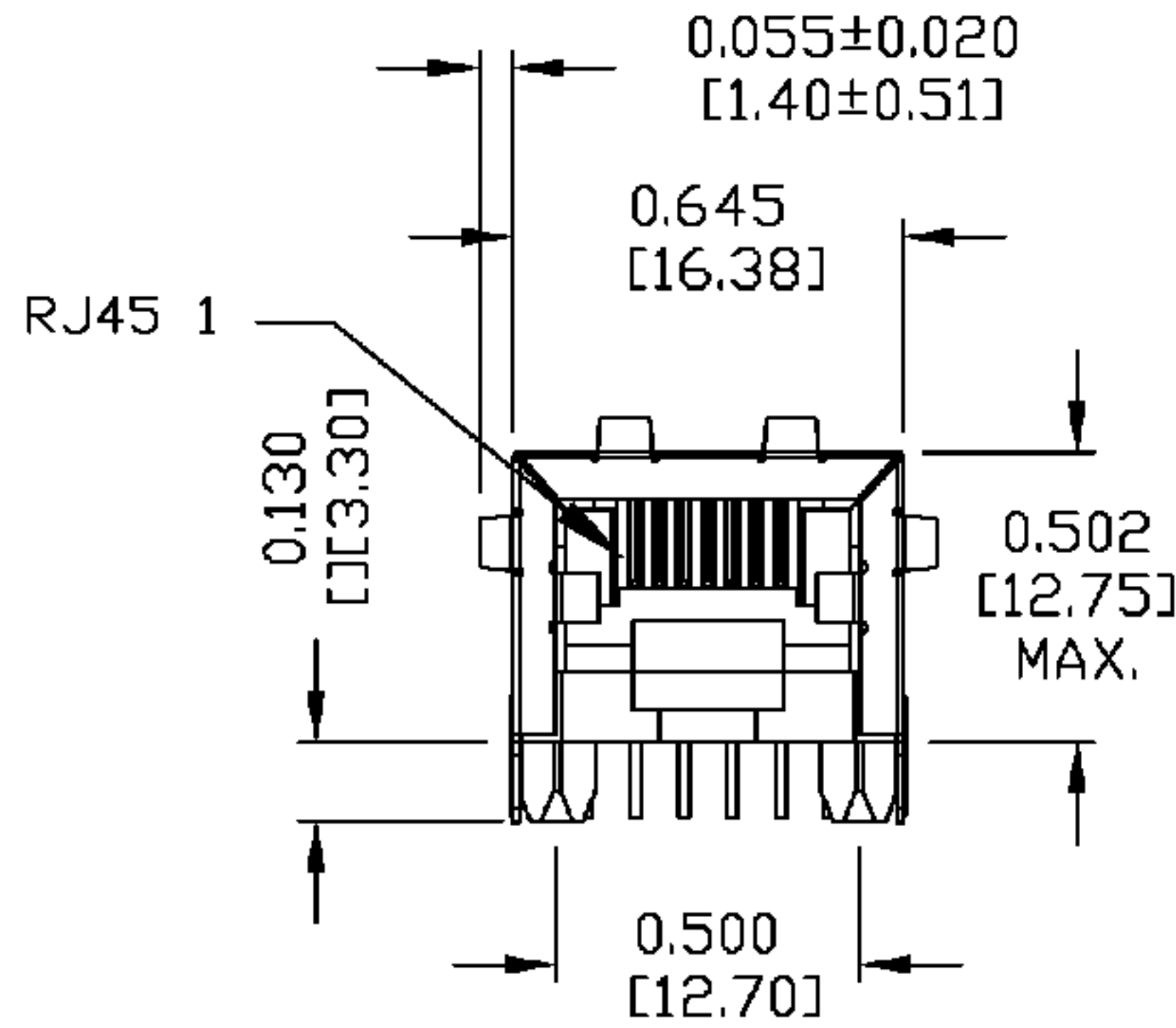
[] METRIC DIM. AS REFERENCE
UNIT : INCH [mm]
SCALE : N/A
REV. : B
SIZE : A4
PAGE : 2



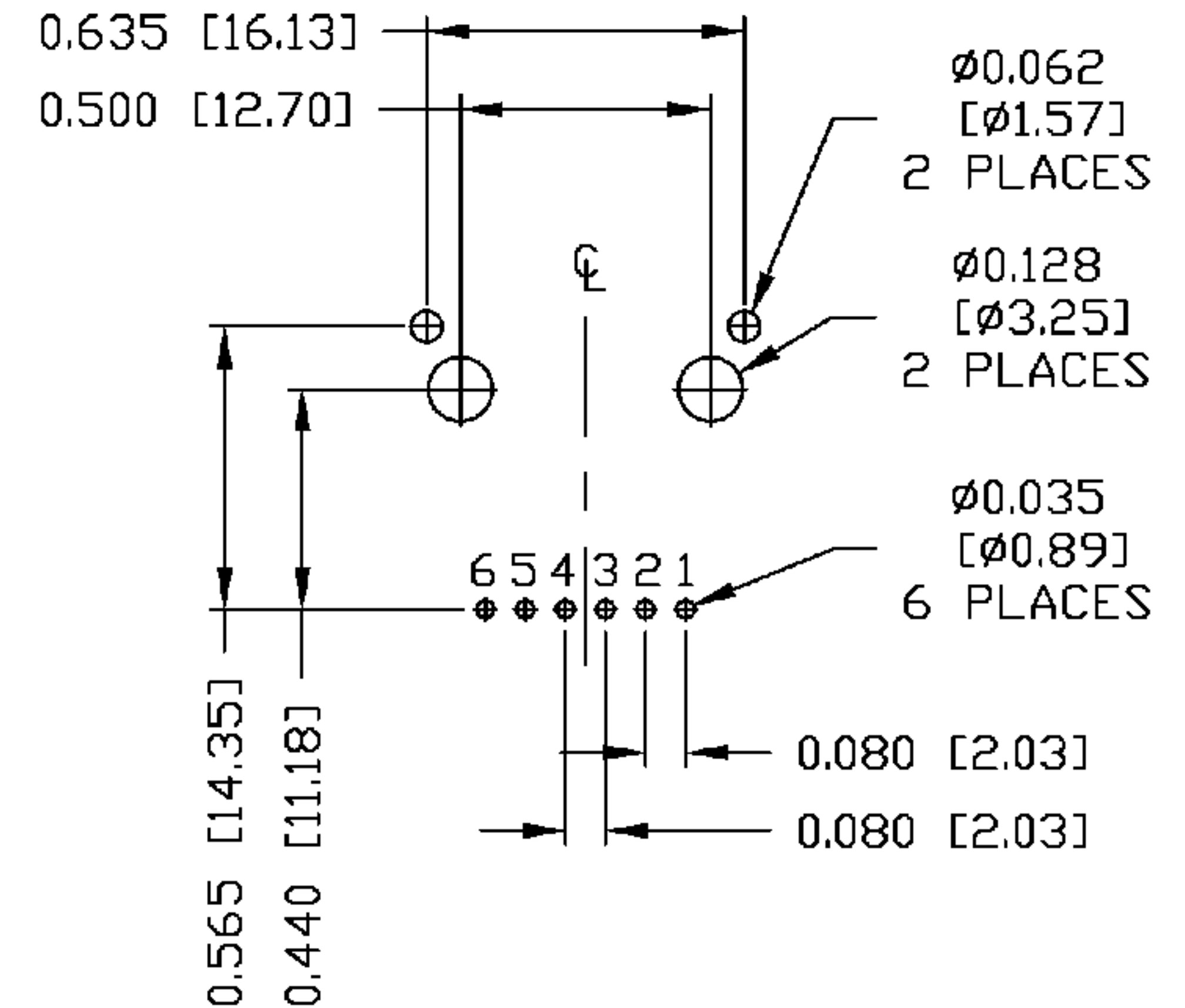
THE INFORMATION CONTAINED HEREIN IS CONSIDERED "PROPRIETARY" TO BEL FUSE INC. AND SHALL NOT BE COPIED, REPRODUCED OR DISCLOSED WITHOUT THE WRITTEN APPROVAL OF BEL FUSE INC.



MECHANICAL SPECIFICATION



RECOMMENDED PCB FOOTPRINT
COMPONENT SIDE VIEW



NOTES:

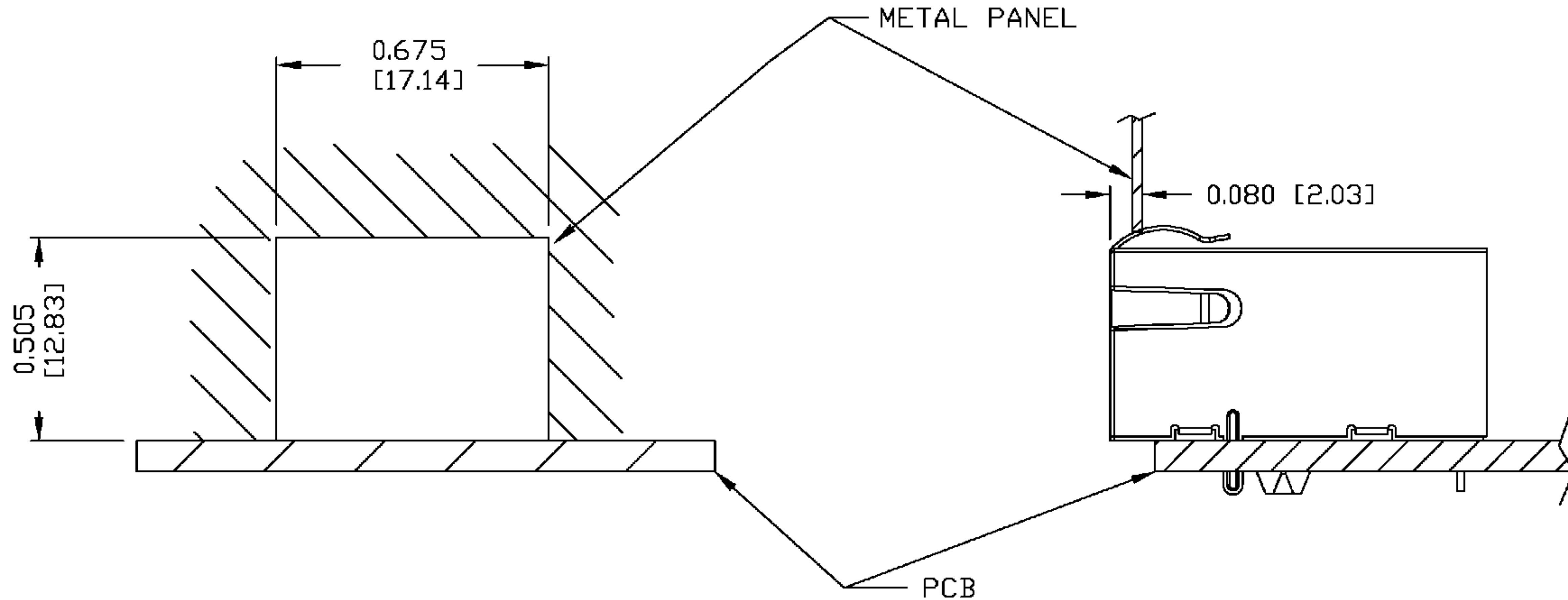
1. PLASTIC HOUSING: THERMOPLASTIC PBT
FLAMMABILITY RATING UL 94V-0
2. CONTACTS PLATING: 50 MICRO-INCH HARD GOLD PLATING
3. PINS: TIN-COATED COPPER WIRE, DIA 0.018 INCH.
4. METAL SHIELD: NICKEL PLATED ON COPPER ALLOY.
(ALL GROUND LEADS ARE SOLDER DIPPED)
5. MARK PART WITH MFG LOGO, MFG NAME, PART NUMBER, AND DATE CODE.
UL RECOGNIZED - FILE #E196366 AND E169987.
RoHS COMPLIANT, PER EU DIRECTIVE 2002/95/EC
6. JACK CAVITY CONFORMS TO FCC RULES AND REGULATIONS.

ORIGINATED BY BANG/BILL	DATE 05-18-06	TITLE LOW PROFILE MagJack®	PART NO. / DRAWING NO. L8111X1T06-F	STANDARD DIM. TOL. IN INCH	[] METRIC DIM. AS REFERENCE	<p>COMPONENTS FOR A CONNECTED PLANET</p>
DRAWN BY LING	DATE 05-18-06	L811-1X1T-06-F	FILE NAME L8111X1T06-FB.DWG	.X	UNIT : INCH [mm]	
				.XX	SCALE : N/A	
				.XXX ±0.010	REV. : B SIZE : A4 PAGE : 3	

THE INFORMATION CONTAINED HEREIN IS CONSIDERED "PROPRIETARY" TO BEL FUSE INC. AND SHALL NOT BE COPIED, REPRODUCED OR DISCLOSED WITHOUT THE WRITTEN APPROVAL OF BEL FUSE INC.



SUGGESTED PANEL OPENING



NOTE:
 THE DISTANCE OF PANEL INSIDE SURFACE RELATIVE TO FRONT SURFACE OF PART IS ONLY A SUGGESTION.
 IN CASE THIS DISTANCE IS DIFFERENT, THE REQUIRED PANEL OPENING DIMENSIONS CHANGE ACCORDINGLY.

PACKING INFORMATION

PACKING TRAY : 0200-0148-06

PACKING QUANTITY : 70 PCS FINISHED GOODS PER TRAY

12 TRAYS (840 PCS FINISHED GOODS) PER CARTON BOX

NOTE : CARDBOARDS ARE PLACED BETWEEN LAYERS OF PACKING TRAY INSIDE CARTON BOX
 (INCLUDE THE UPPERMOST AND LOWERMOST TRAY)

ORIGINATED BY BANG/BILL	DATE 05-18-06	TITLE LOW PROFILE MagJack® L811-1X1T-06-F	PART NO. / DRAWING NO. L8111X1T06-F	STANDARD DIM. TOL. IN INCH	[] METRIC DIM. AS REFERENCE		 COMPONENTS FOR A CONNECTED PLANET
	DRAWN BY LING		DATE 05-18-06	FILE NAME L8111X1T06-F.B.DWG	.X	UNIT : INCH [mm]	
				.XX	SCALE : N/A	SIZE : A4	
				.XXX ±0.004		PAGE : 4	