

4

3

2

1

THIS DRAWING IS UNPUBLISHED.

RELEASED FOR PUBLICATION

--

© COPYRIGHT - By -

ALL RIGHTS RESERVED.

LOC

DIST

REVISIONS

J

-

P

LTR

DESCRIPTION

DATE

DWN

APVD

C1

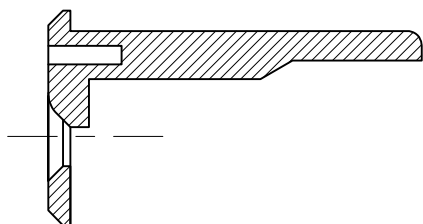
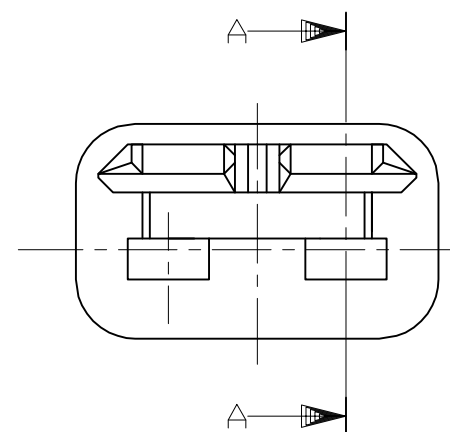
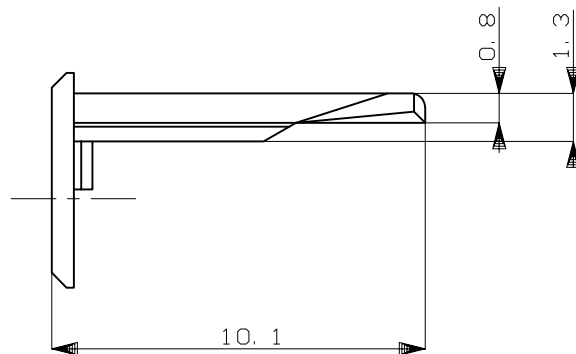
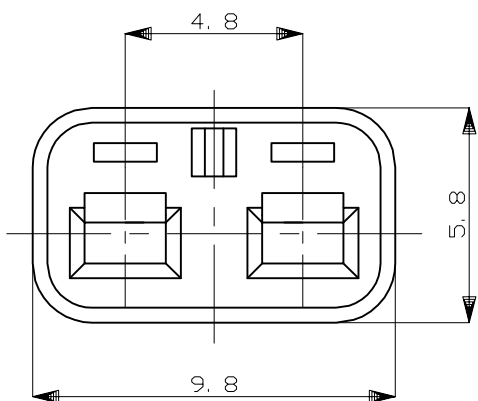
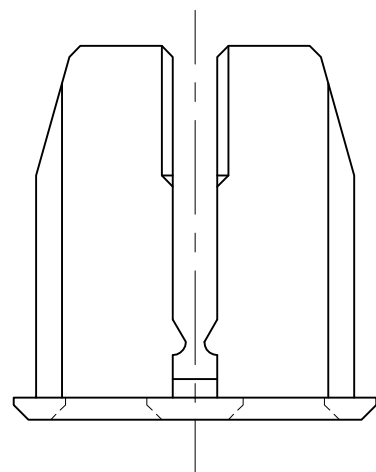
REVISED

ECR-15-000191

27JAN2015

TS

KB



SECTION 断面 A-A

1. 本品は、プラグハウジング型番174352に装着される。

1. TO BE MATED WITH PLUG HOUSING (PN 174352)

HB	自然色 (NATURAL)	1-174353-1
V-2	黄 (YELLOW)	174353-7
使用材料難燃グレード (FLAMMABILITY OF MATERIAL)	色 (COLOR)	型番 (PART NUMBER)

THIS DRAWING IS A CONTROLLED DOCUMENT.		DWN K.ODA 8/13'87	STE TE Connectivity	
DIMENSIONS: mm		CHK Y.MATSUSAKA 8/24'87		
TOLERANCES UNLESS OTHERWISE SPECIFIED:		APVD M.NOGUCHI 8/19'87	NAME	
0 PLC ± -		PRODUCT SPEC	2P. ECONOSEAL J-MARKII+ CONNECTOR DOUBLE LOCK PLATE FOR PLUG HOUSING	
1 PLC ± -		APPLICATION SPEC	SIZE	CAGE CODE
2 PLC ± -		WEIGHT	A3	00779
3 PLC ± -		CUSTOMER DRAWING	DRAWING NO C=174353	
4 PLC ± -			RESTRICTED TO	
ANGLES ± -			SCALE	SHEET
GENERAL TOLERANCE			5:1	1 of 1
0 < * ≤ 10 : ±0.2			REV	C1
10 < * ≤ 30 : ±0.25				
30 < * ≤ 100 : ±0.3				
ANGLES : ±3°				
MATERIAL	FINISH			
PBT	-			