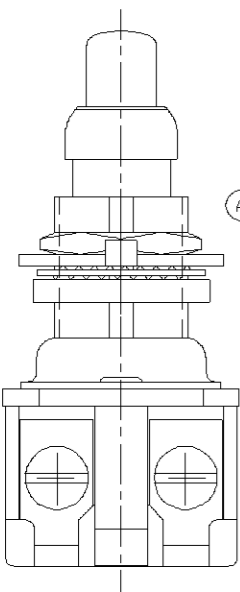
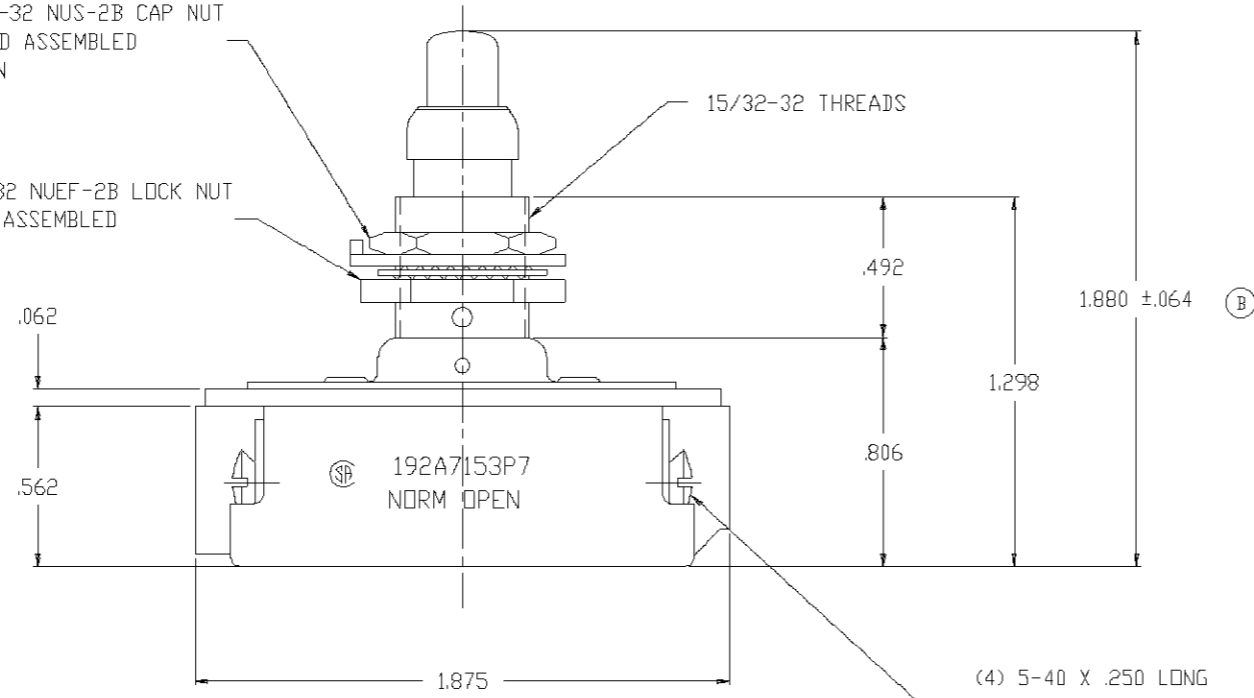


.083 ±.003 X .046 DEEP KEYWAY



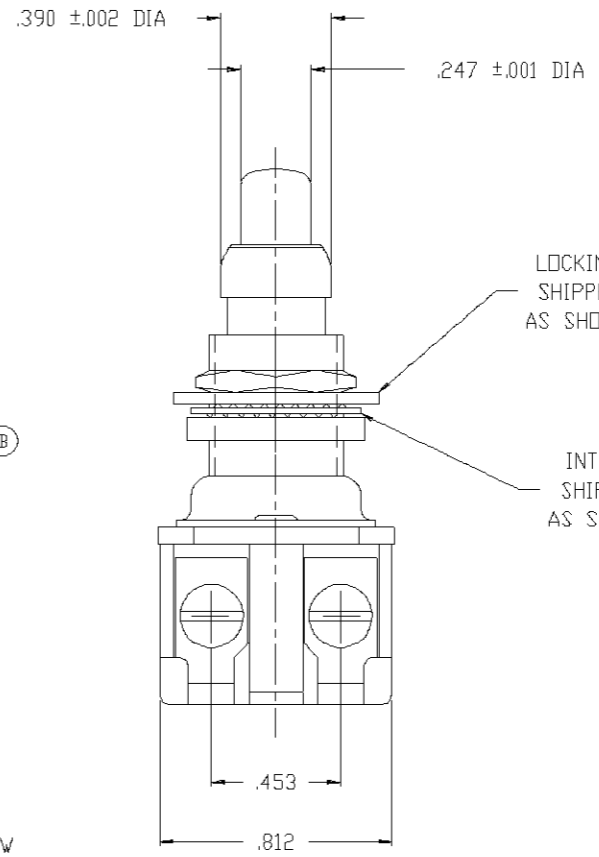
(A) 15/32-32 NUS-2B CAP NUT SHIPPED ASSEMBLED AS SHOWN

(A) 15/32-32 NUF-2B LOCK NUT SHIPPED ASSEMBLED AS SHOWN



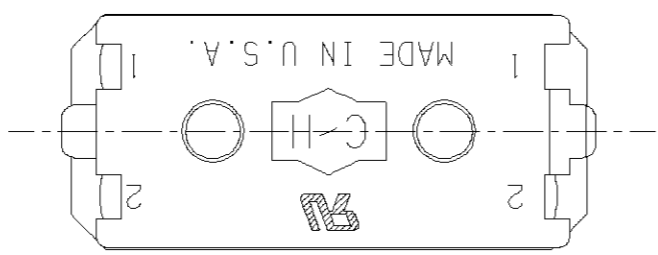
192A7153P7 NORM OPEN

(4) 5-40 X .250 LONG UNDERCUT BDG. HD. SCREW SHIPPED ASSEMBLED (A)



LOCKING RING SHIPPED ASSEMBLED AS SHOWN (A)

INTERNAL TOOTH LOCKWASHER SHIPPED ASSEMBLED AS SHOWN (A)



NOTES:
1. UNLESS OTHERWISE SPECIFIED ALL TOLERANCES TO BE ±.016.



TITLE: D.P.S.T. MOMENTARY CONTACT PUSH SWITCH W/ OVERTHROW - NORMALLY 'OFF'			
DR. W. LEONARD	3/30/92	SURFACE COATING	FIRST ASSEM. WHERE LISTED 8980K250
CHK. WESTEMEIER	4/10/92	SCALE	SUP'S ARROW HART 80630CD
APP. M.R. DUMMER	4/14/92	DO NOT SCALE DRAWING	SUP'D BY

ORDER NO. 93719950

A	REMOVED EATON PT NO.'S FROM HARDWARE NOTES. CAP NUT NOTE: 15/32 WAS 1532. ECN02159503	WL	WH	MRD	2/24/95	D
B	REVISED PER FASR: 1.880 WAS 1.964. ECN03219504				4/29/95	E
C						F