

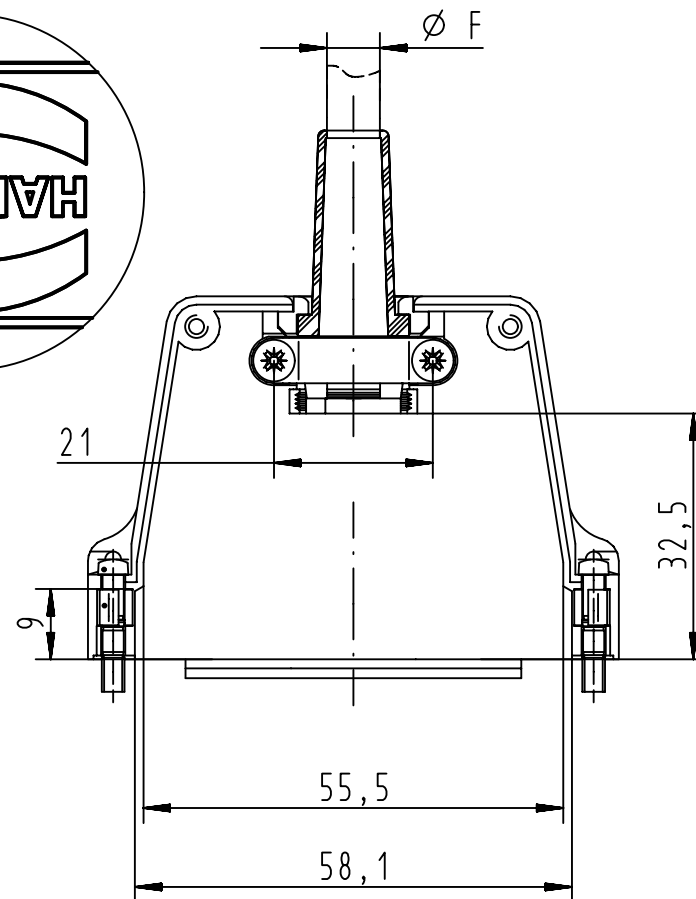
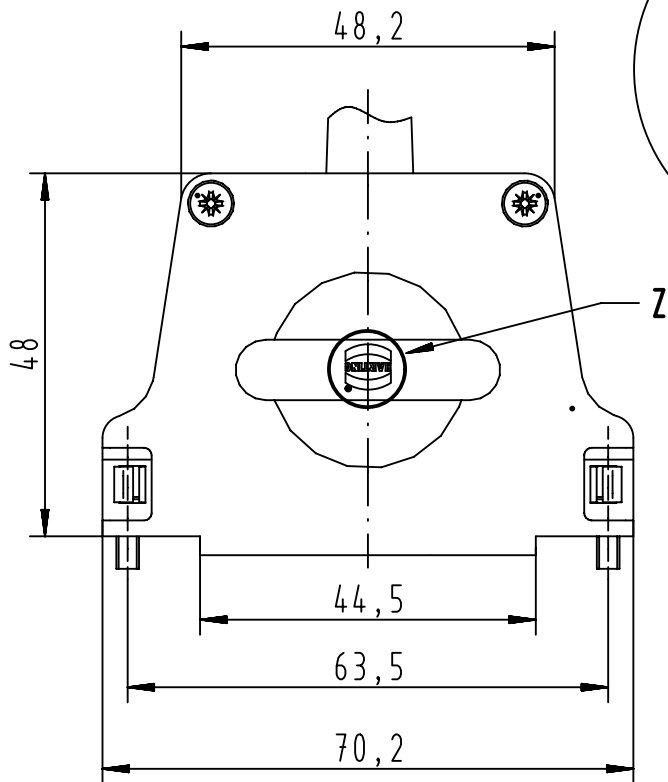
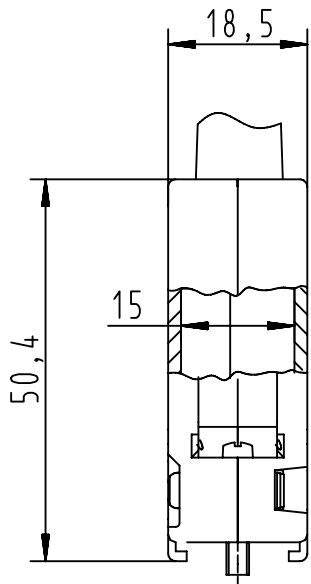
1 2 3 4 5 6

A

B

C


D



Minimum cable \varnothing :
 $\varnothing F_{min}=3,0$

Maximum cable \varnothing :
 - with rubber bushing : $\varnothing F_{max}=9,0$
 - without rubber bushing : $\varnothing F_{max}=12,0$
 - without reduction plate: $\varnothing F_{max}=15$

| | |
|--------------------|--------------|
| 09670370349 | M3 |
| Part number | screw thread |

| | | | | | | | | | |
|---|--|---|---------------------|---------------------------|-----------------------------|--------------------|------------------------|---------------|--|
|  | All rights reserved Department EC PD - FR | All Dimensions in mm Original Size DIN A4 | | Scale 1:1 | Free size tol. | | Ref. Sub. | | |
| | | HARTING Electronics GmbH D-32339 Espelkamp | Created by DOUGE | Inspected by BAGDIKIAN | Standardisation HOFFMANN | Date 2013-02-05 | State Final Release | | Doc-Key / ECM-Nr. 100521327/UGD/001/A 500000056836 |
| | | Title D-Sub Hood 37P top entry full metal | | | | | | Rev. A | |
| | | Type TB | | Number 09670370349 | | | Page 1/1 | | |