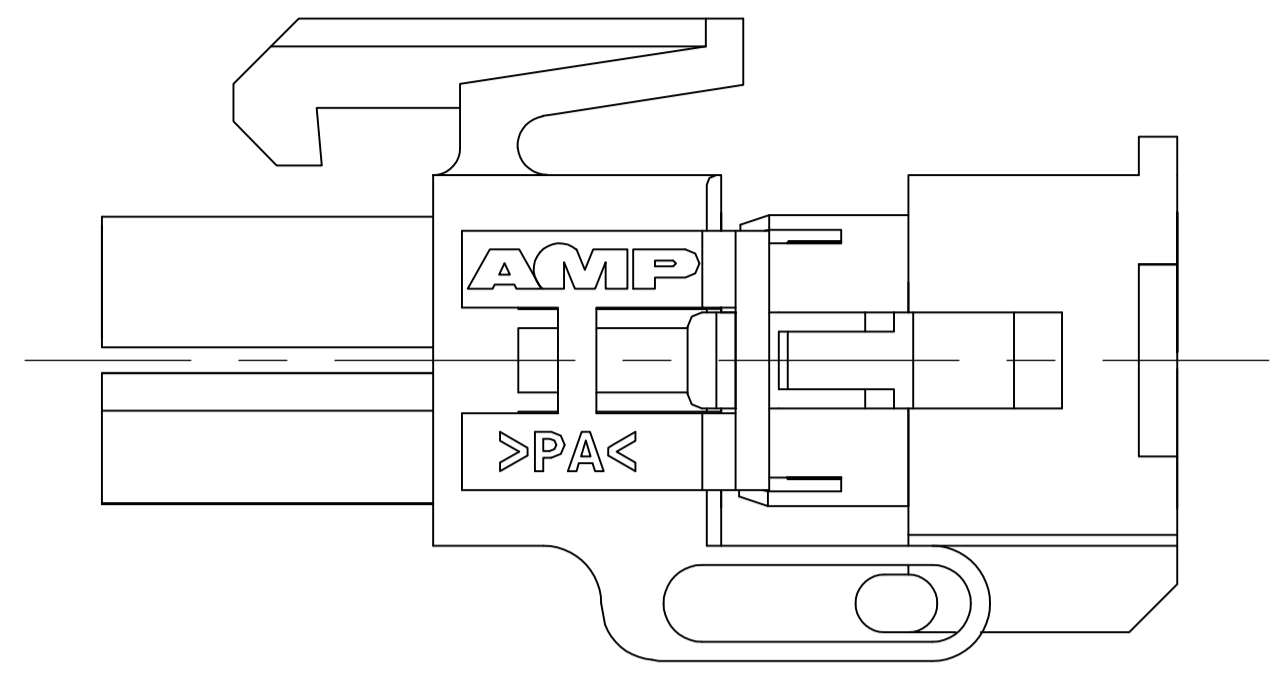
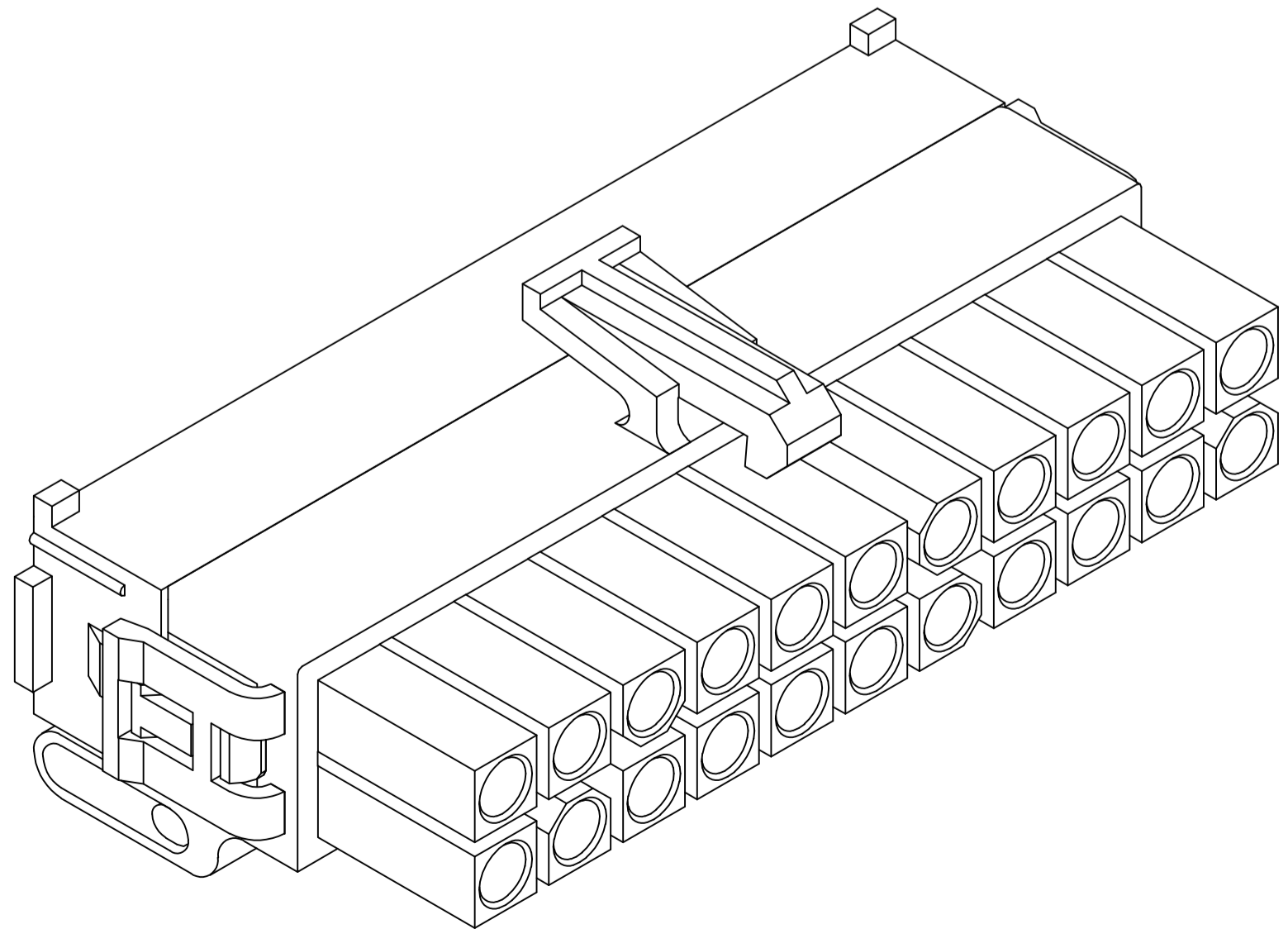
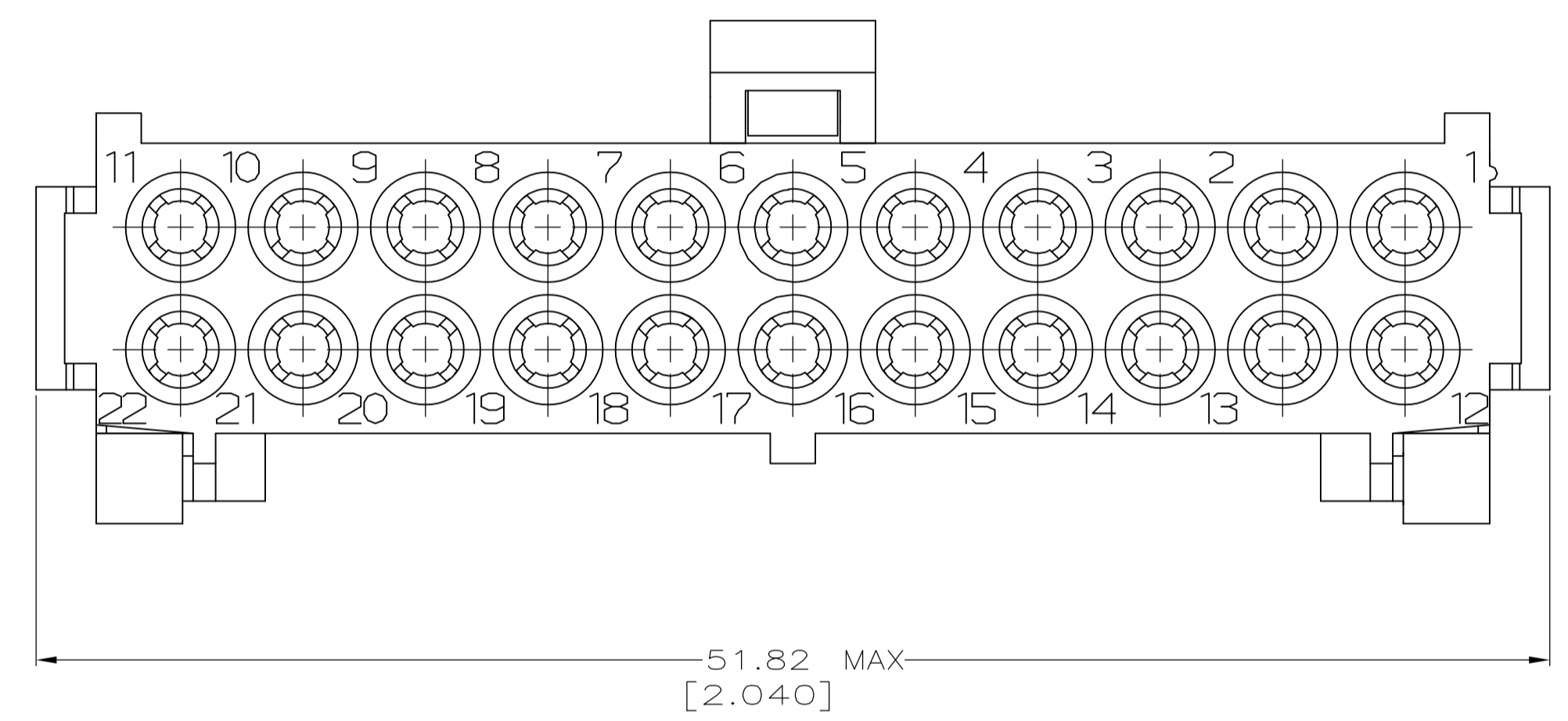
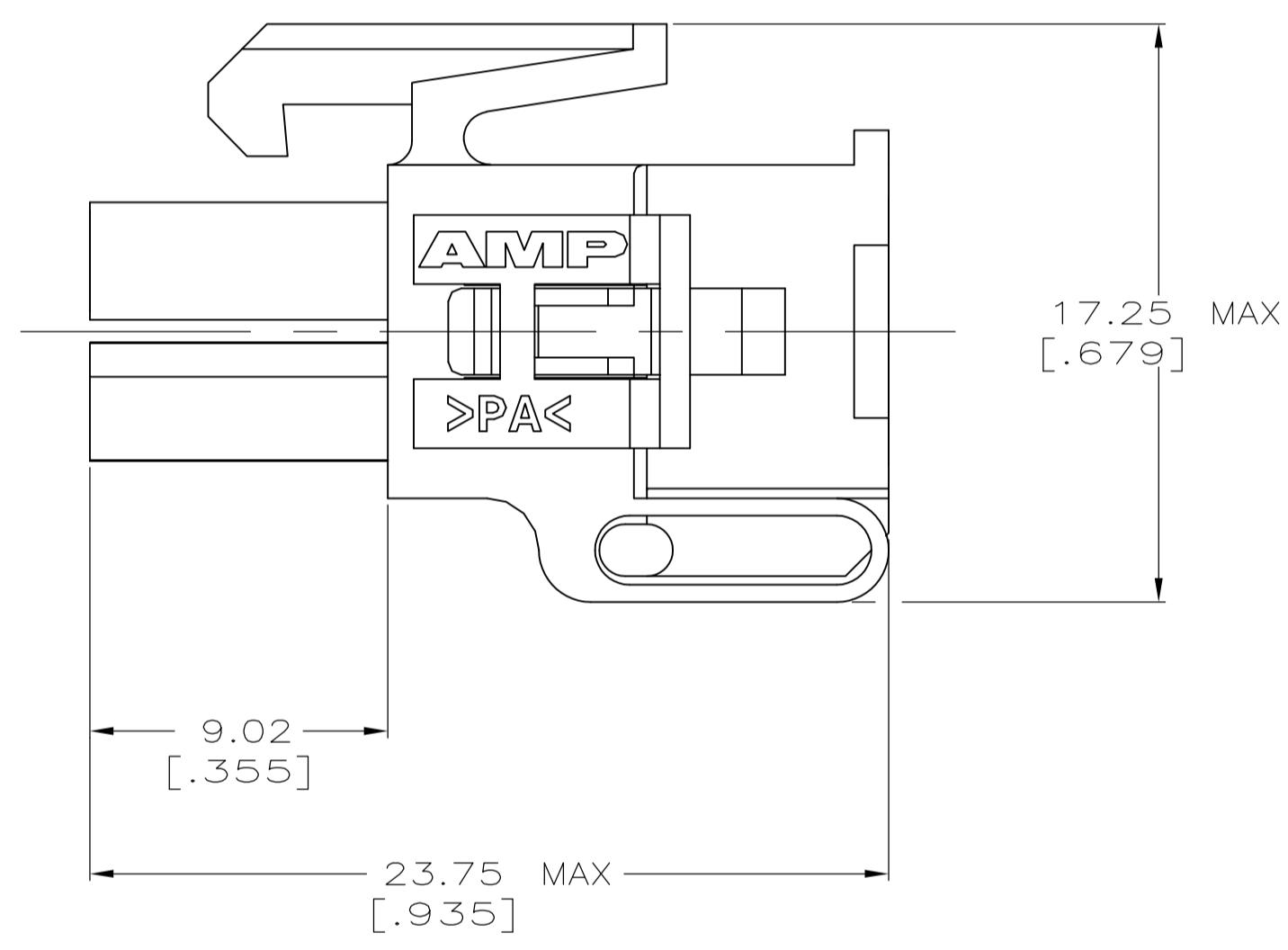
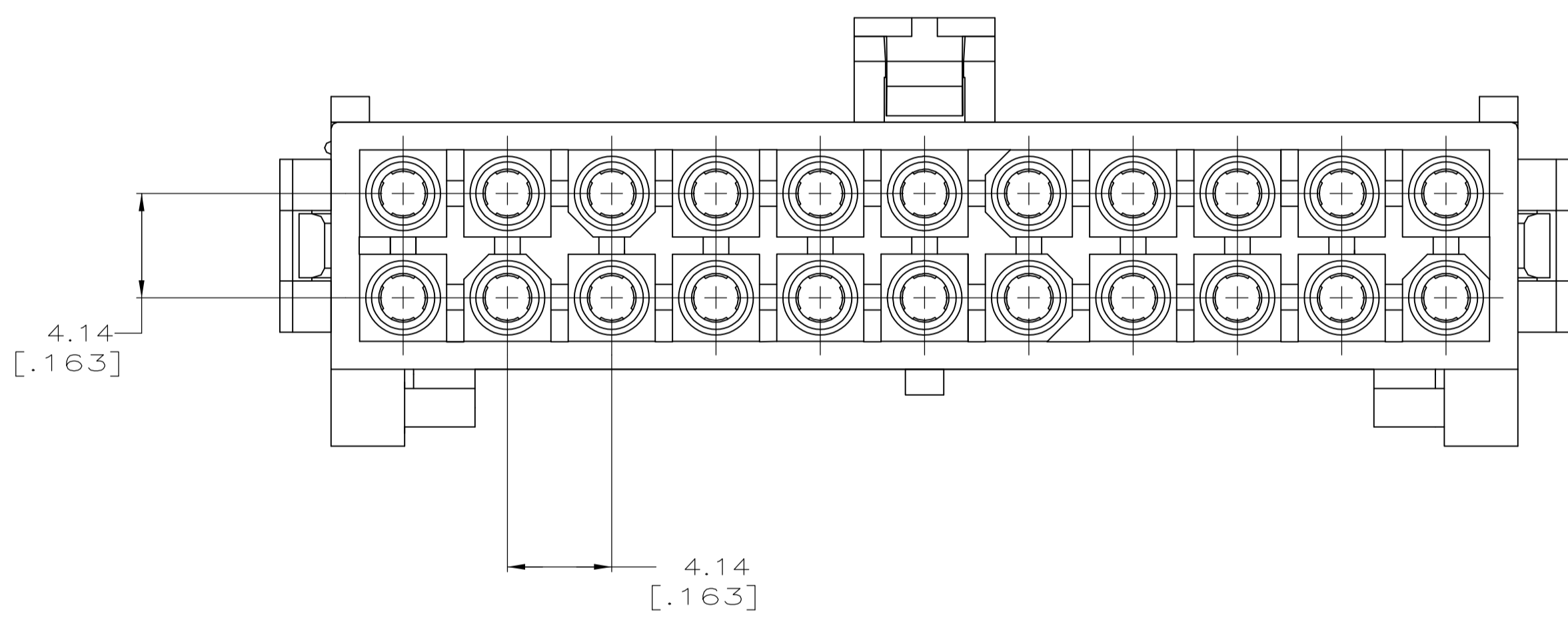


LOC		DIST		REVISIONS			
P	LTR	DESCRIPTION	DATE	DNW	APVD		
CM	53	C1	REVISED PER ECR-10-025344	23FEB11	JR	TM	

1 DIMENSIONS IN BRACKETS ARE IN INCHES.



PRE-STAGED CONDITION



3-DIMENSIONAL MODEL
NTS

METRIC

794212-1
PART NUMBER

THIS DRAWING IS A CONTROLLED DOCUMENT.		DIN K. WHITAKER 5-20-97	Tyco Electronics Corporation Harrisburg, PA 17105-3608
		CHK R. SWING 5-20-97	
DIMENSIONS: mm		APVD R. ORSTAD 5-20-97	NAME PLUG, 22 CIRCUIT, MINI UNIVERSAL MATE-N-LOK™ 2
TOLERANCES UNLESS OTHERWISE SPECIFIED:		PRODUCT SPEC	APPLICATION SPEC
0. PLC ± -		SIZE	RESTRICTED TO
1. PLC ± -		WEIGHT	A1 00779 C=794212
2. PLC ± -		CUSTOMER DRAWING	SCALE 5:1 SHEET 1 OF 1 REV C1
3. PLC ± 0.13 [.005]			
4. PLC ± -			
ANGLES ± -			
FINISH -			