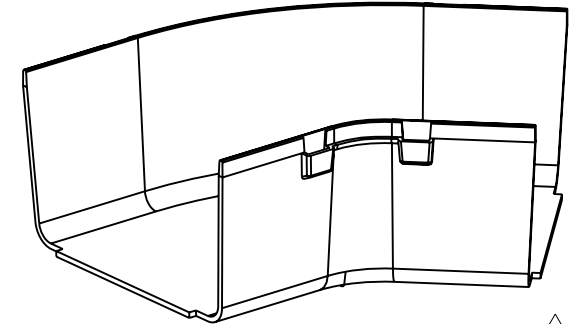
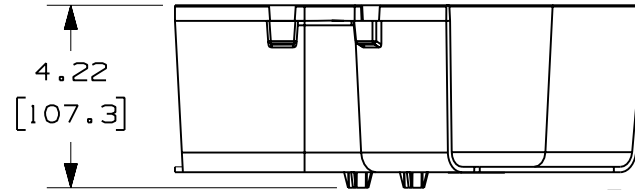
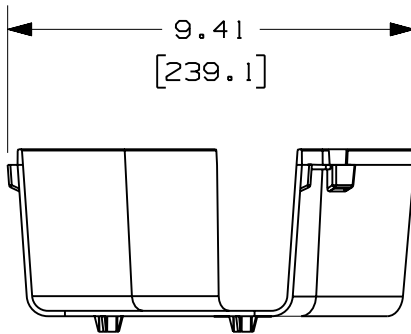


PANDUIT PART NUMBER	WEIGHT
FRH456X4	0.69 LB/EACH (314g/EACH)

△K NOTES:

1. SEE CURRENT CATALOG FOR ADDITIONAL PART SUFFIXES TO INDICATE COLOR AND/OR PACKAGE QUANTITY.
2. THE FIBERRUNNER 6x4 HORIZONTAL 45° ANGLE FITTING IS DESIGNED WITH A MINIMUM 2" (50.8) BEND RADIUS TO PROTECT FIBER OPTIC CABLES.
3. DIMENSIONS IN PARENTHESES ARE IN METRIC.



ENG. REF.: D37686BF_DC_FRH456X4_02.prt

CAD FILENAME/LAYERS **△1** FRH456X4.pdf

REV	DATE	BY	CHK	DESCRIPTION	ECN	R	CUST	SUP	GMBH
-	-----	---	---	K. REVISED GENERAL NOTES	-----	--	--		
-	-----	---	---	J. REVISED PART WEIGHT I. REVISED CAD FILENAME	-----	--	--		
3	6-29-06	DTP	RN	H. REVISED DRAWING TITLE G. REVISED AND REDRAWN	37686-05	RN	RN		

PANDUIT CORP TINLEY PARK, ILLINOIS	
FIBERRUNNER 6x4 HORIZONTAL 45° ANGLE FITTING (FRH456X4) CUSTOMER DRAWING	
UNLESS OTHERWISE SPECIFIED, DIMENSIONAL TOLERANCES ARE: (.X) ± (.XXX) ± (.XX) ± .03 (.8) ANGLES ±	
UNLESS OTHERWISE SPECIFIED, ALL DIMENSIONS ARE GIVEN IN INCHES, THIRD ANGLE PROJECTION.	
SCALE	NONE
DRAWN BY	JHNU
DATE	8-18-00
CHK'D	HIW
MAT'L:	ABS
DRAWING NO.	37686-05
DWG SIZE	A